

C3225X7R2A225M230AE

TDK item description : C3225X7R2A225MT***S

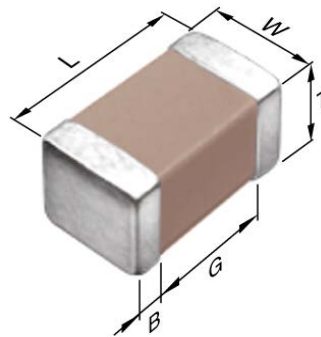


Application & Main Feature

Commercial grade (Soft termination)

Series

C3225 [EIA 1210]



Dimensions

L 3.20+0.50/-0.40 mm
 W 2.50±0.30 mm
 T 2.30+0.30/-0.20 mm
 B 0.20 mm min.
 G ---

Temperature Characteristic

X7R (-55 to +125 degC, ±15%)

Rated Voltage

2A (100Vdc)

Capacitance

2.2µF

Capacitance Tolerance

M (±20%)

Dissipation Factor

3 % max.

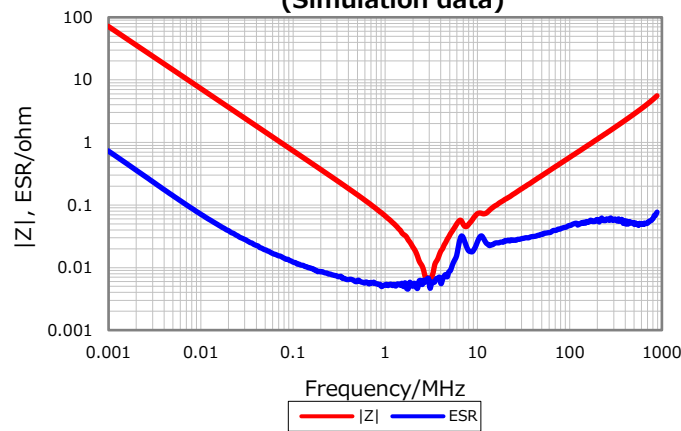
Insulation Resistance

227 Mohm min.

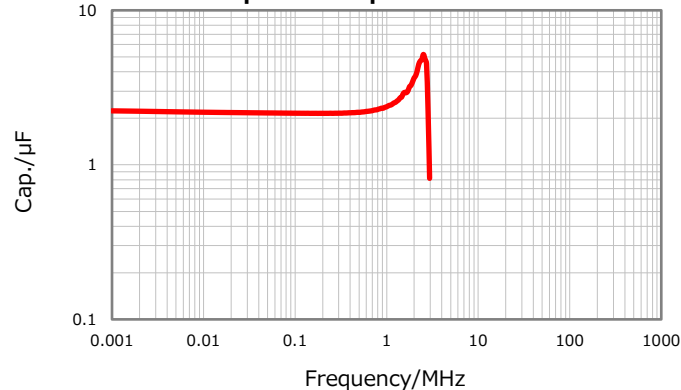
AEC-Q200

Not Applicable

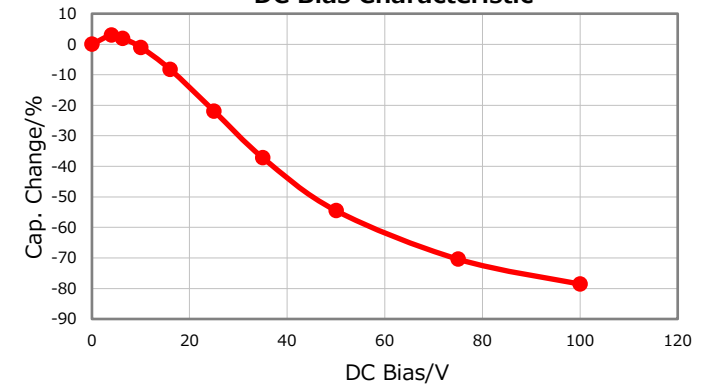
|Z|, ESR vs. Freq. Characteristics (Simulation data)



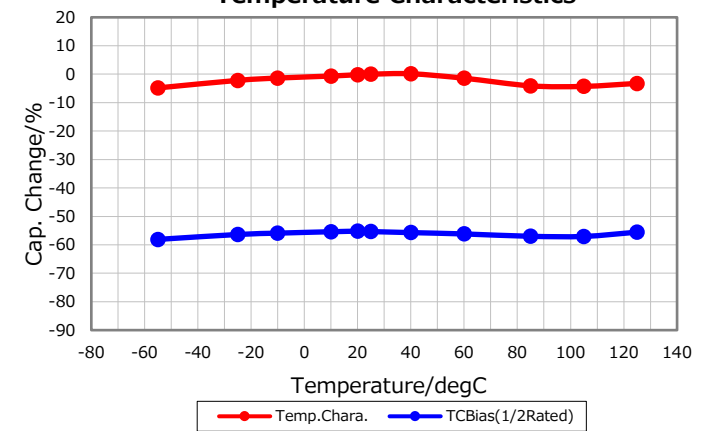
Cap. vs. Freq. Characteristic



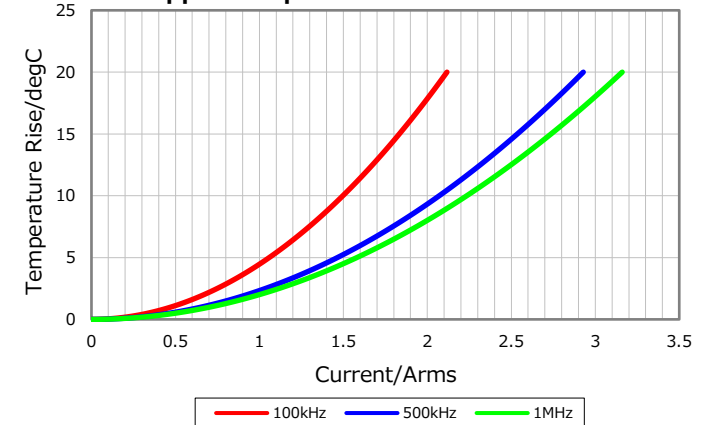
DC Bias Characteristic



Temperature Characteristics



Ripple Temperature Rise Characteristics



Characterization Sheet (Multilayer Ceramic Chip Capacitors)



All specifications are subject to change without notice.

January 23, 2020