

C3225X7S2A335K200AE

TDK Item Description : C3225X7S2A335KT***S

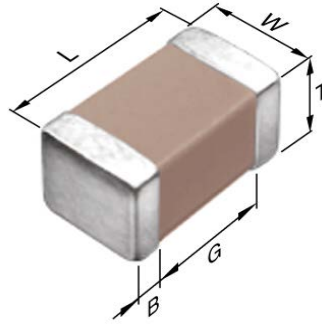


Application & Main Feature

Commercial Grade (Soft Termination)

Series

C3225 [EIA CC1210]



Dimensions

L	3.20mm +0.5,-0.4mm
W	2.50mm +/-0.3mm
T	2.00mm +0.3,-0.2mm
B	0.20mm Min.
G	

Temperature Characteristic

X7S (-55 to 125 degC +/-22%)

Rated Voltage

2A (100Vdc)

Capacitance

3.3uF

Capacitance Tolerance

K (+/-10%)

Dissipation Factor

5% Max.

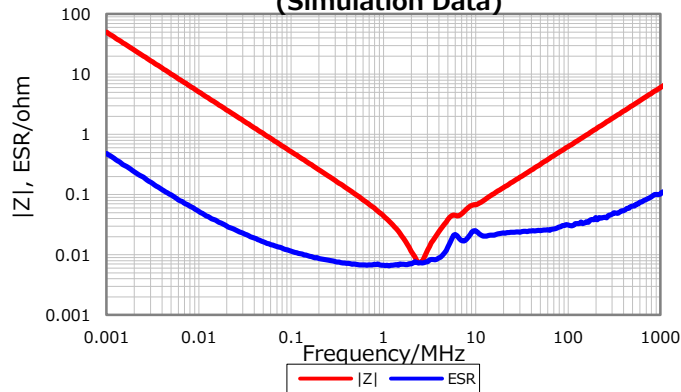
Insulation Resistance

151Mohm Min.

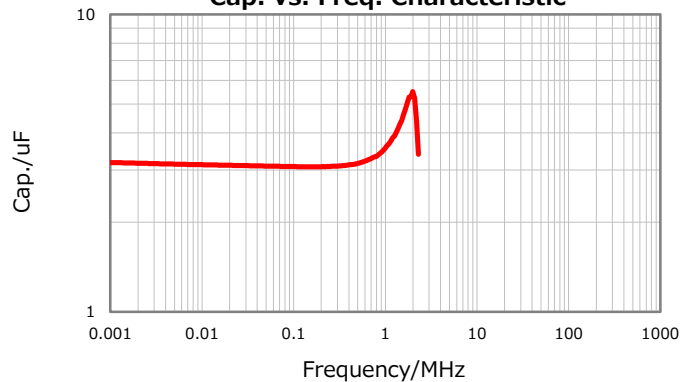
AEC-Q200

Not Applicable

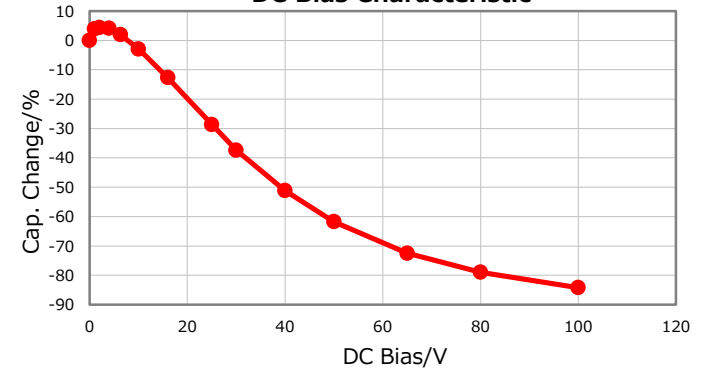
|Z|, ESR vs. Freq. Characteristics (Simulation Data)



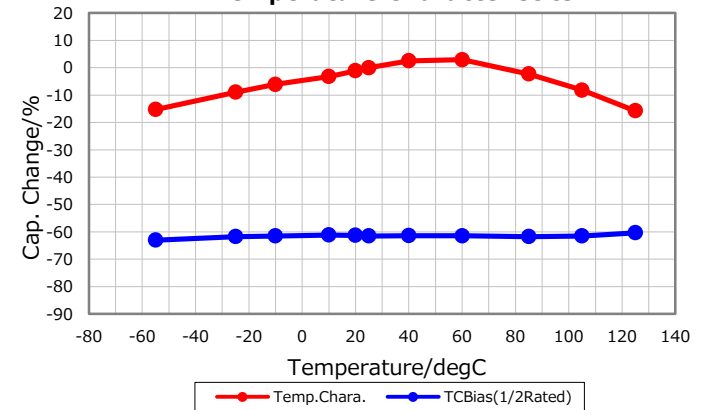
Cap. vs. Freq. Characteristic



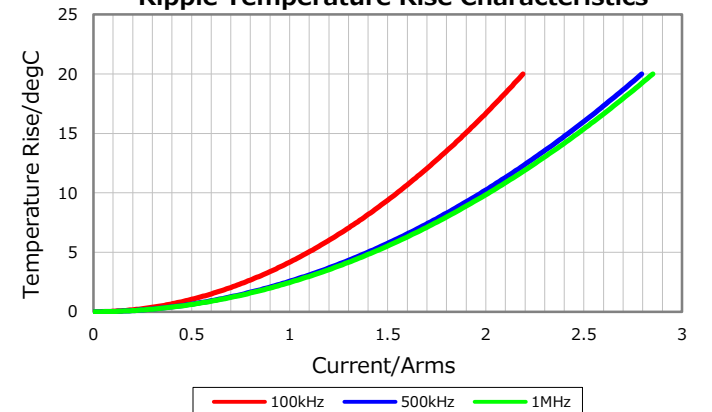
DC Bias Characteristic



Temperature Characteristics



Ripple Temperature Rise Characteristics



Characterization Sheet (Multilayer Ceramic Chip Capacitors)



All specifications are subject to change without notice.

March 16, 2017