

C3225X7T1A107M250AC

TDK item description : C3225X7T1A107MT****

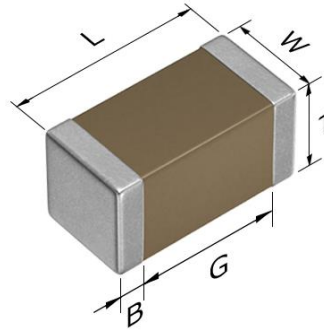


Application & Main Feature

Commercial grade (General type)

Series

C3225 [EIA 1210]



Dimensions

L	3.20±0.40 mm
W	2.50+0.40,-0.30 mm
T	2.50+0.40,-0.30 mm
B	0.20 mm min.
G	---

Temperature Characteristic

X7T (-55 to +125 degC, +22/-33%)

Rated Voltage

1A (10Vdc)

Capacitance

100µF

Capacitance Tolerance

M (±20%)

DF

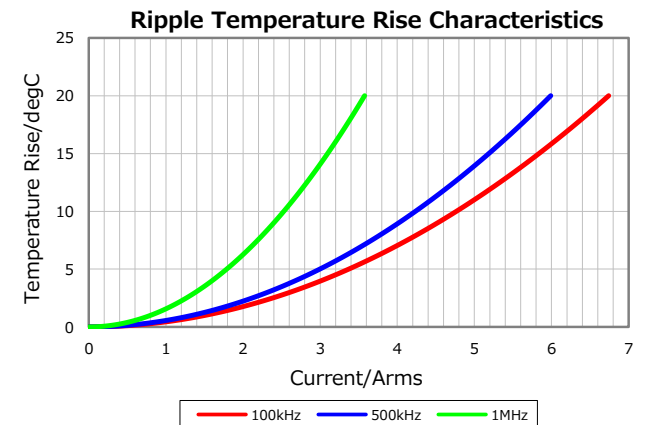
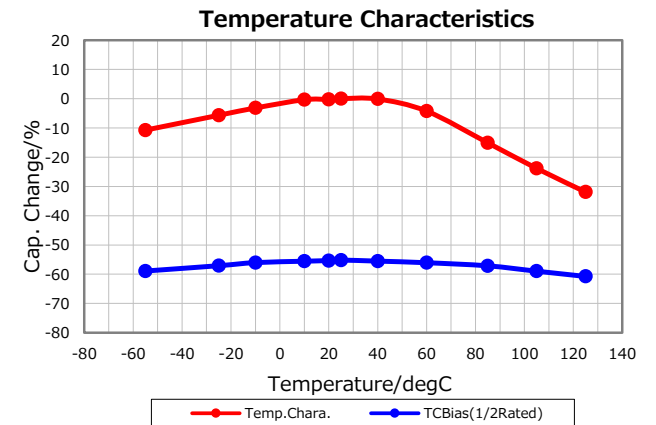
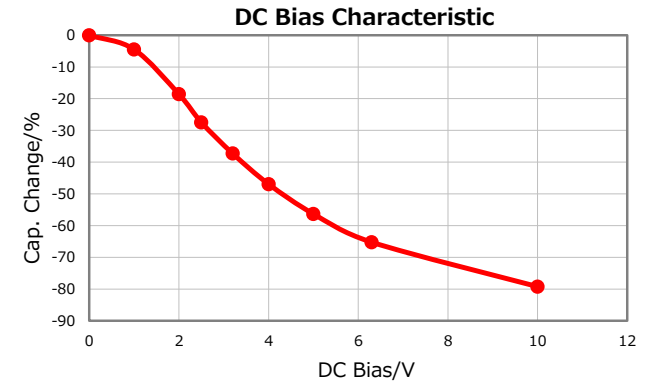
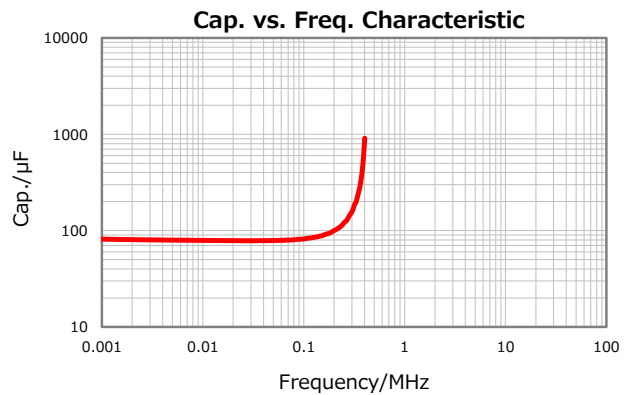
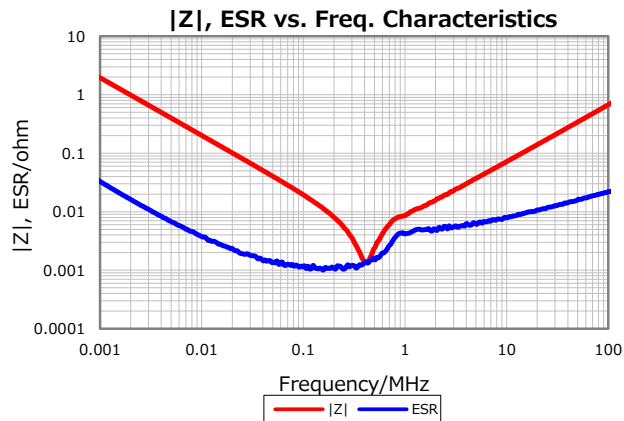
10 % max.

Insulation Resistance

1 Mohm min.

AEC-Q200

Not Applicable



Characterization Sheet (Multilayer Ceramic Chip Capacitors)



All specifications are subject to change without notice.

March 2, 2021