

C3225X7T2J104M160AE

TDK Item Description : C3225X7T2J104MT***S

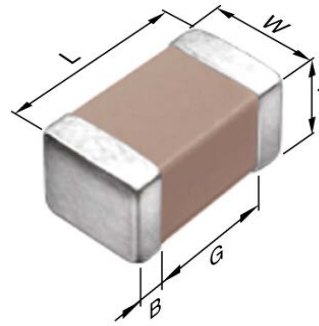


Application & Main Feature

Commercial Grade (Soft Termination)

Series

C3225 [EIA CC1210]



Dimensions

| | |
|---|--------------------|
| L | 3.20mm +0.5,-0.4mm |
| W | 2.50mm +/-0.3mm |
| T | 1.60mm +0.3,-0.2mm |
| B | 0.20mm Min. |
| G | |

Temperature Characteristic

X7T (-55 to 125 degC +22,-33%)

Rated Voltage

2J (630Vdc)

Capacitance

100nF

Capacitance Tolerance

M (+/-20%)

Dissipation Factor

2.5% Max.

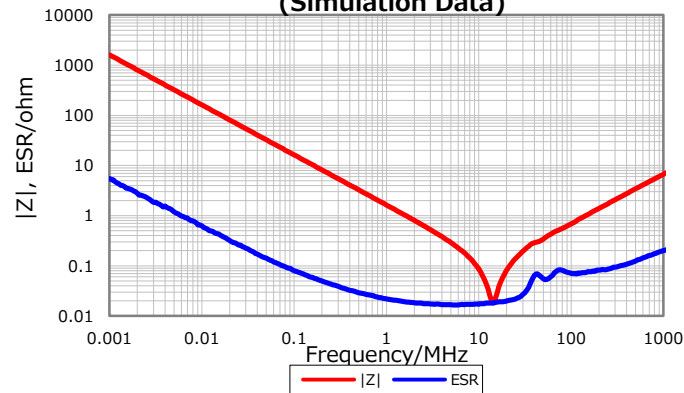
Insulation Resistance

5Gohm Min

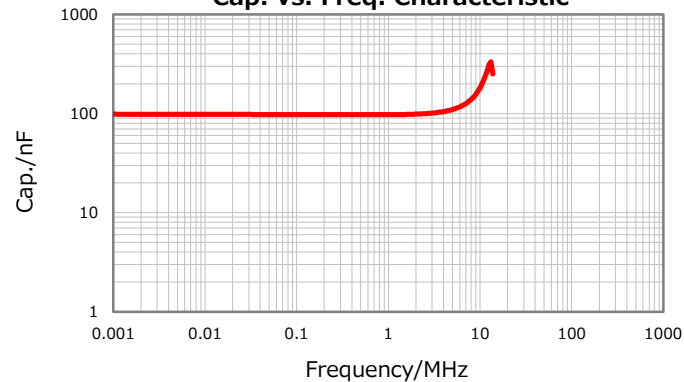
AEC-Q200

Not Applicable

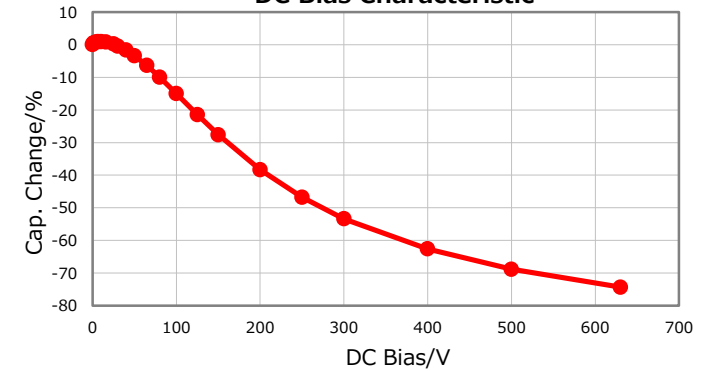
|Z|, ESR vs. Freq. Characteristics (Simulation Data)



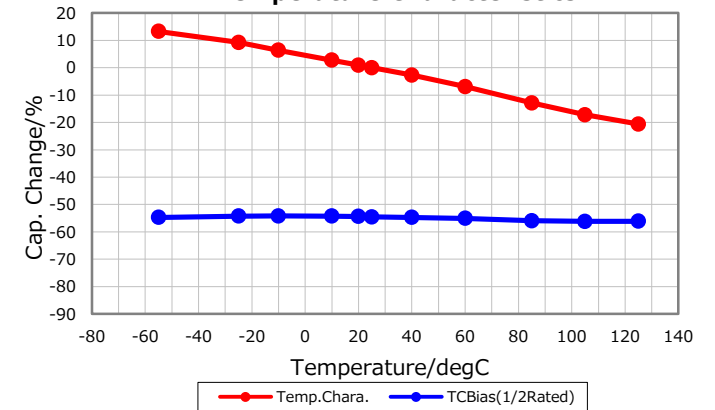
Cap. vs. Freq. Characteristic



DC Bias Characteristic



Temperature Characteristics



Ripple Temperature Rise Characteristics

