

Voltage derating

C3225X8L2A475K200AU

TDK item description : C3225X8L2A475KTU***

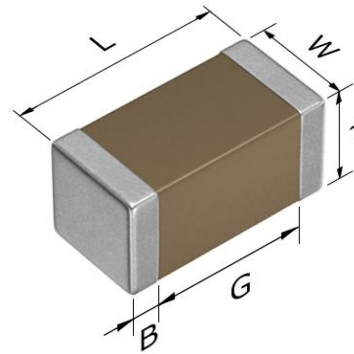


Application & Main Feature

Commercial grade (General type)

Series

C3225 [EIA 1210]



Dimensions

L	3.20±0.40 mm
W	2.50±0.30 mm
T	2.00±0.20 mm
B	0.20 mm min.
G	---

Temperature Characteristic

X8L (-55 to +150 degC, +15/-40%)

Rated Voltage*

2A (100Vdc)

Capacitance

4.7µF

Capacitance Tolerance

K (±10%)

DF

5 % max.

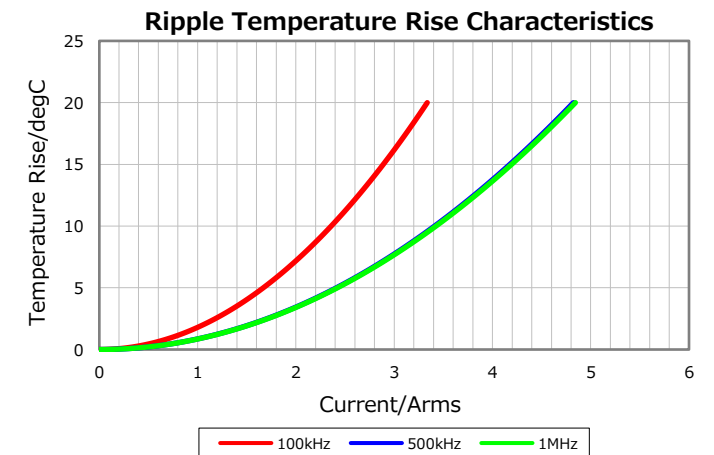
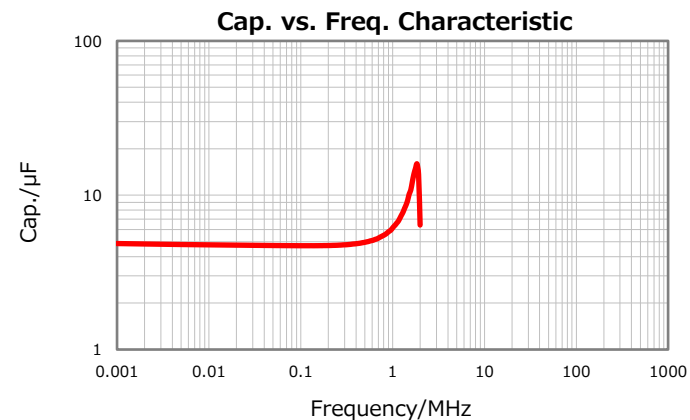
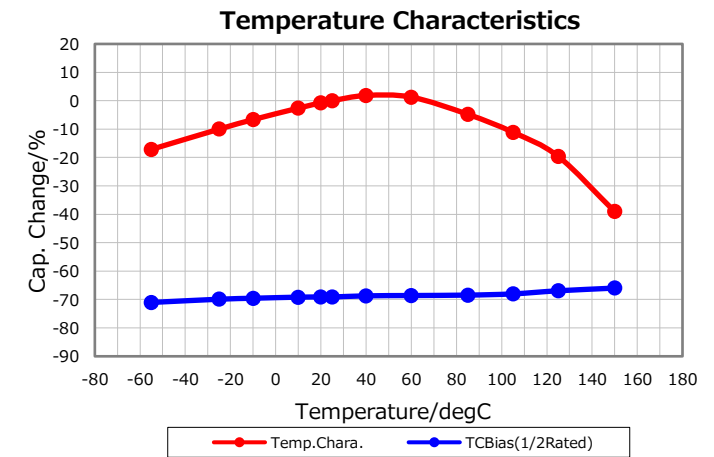
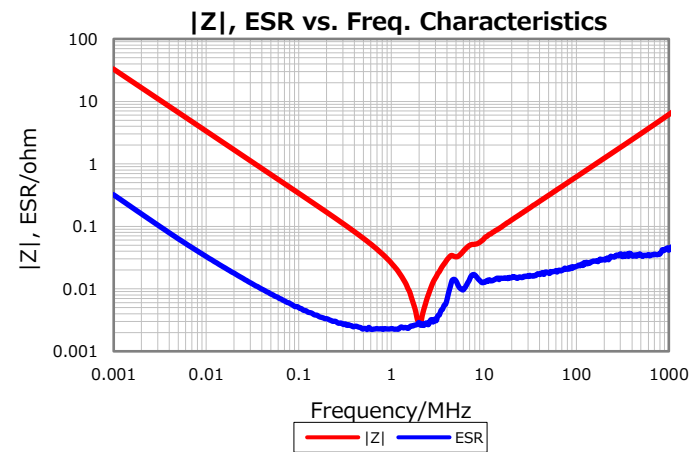
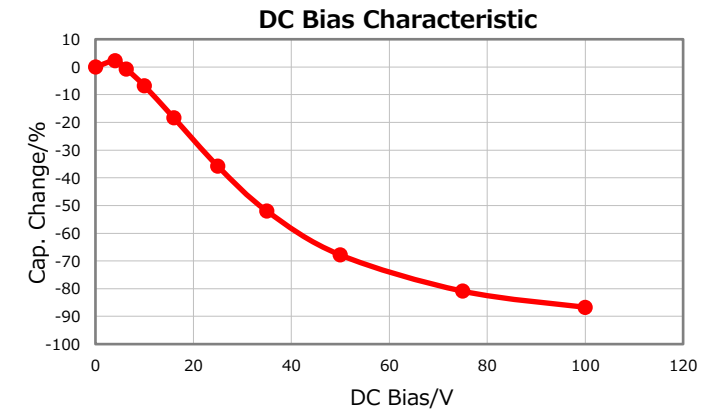
Insulation Resistance

106 Mohm min.

AEC-Q200

Not Applicable

*As for derating condition, refer to catalog or SPEC.



Characterization Sheet (Multilayer Ceramic Chip Capacitors)



All specifications are subject to change without notice.

November 21, 2021