

C3225X8R1C685K200AB

TDK Item Description : C3225X8R1C685KT****

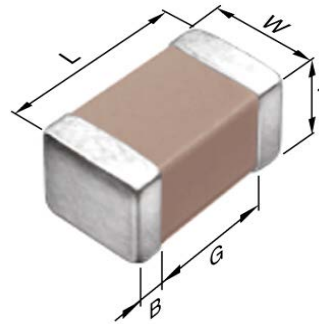


Application & Main Feature

Commercial Grade (High Temperature Application)

Series

C3225 [EIA 1210]



Dimensions

L	3.20mm +/-0.4mm
W	2.50mm +/-0.3mm
T	2.00mm +/-0.2mm
B	0.20mm Min.
G	

Temperature Characteristic

X8R (-55 to 150 deg +/-15%)

Rated Voltage

1C (16Vdc)

Capacitance

6.8uF

Capacitance Tolerance

K (+/-10%)

Dissipation Factor

5% Max.

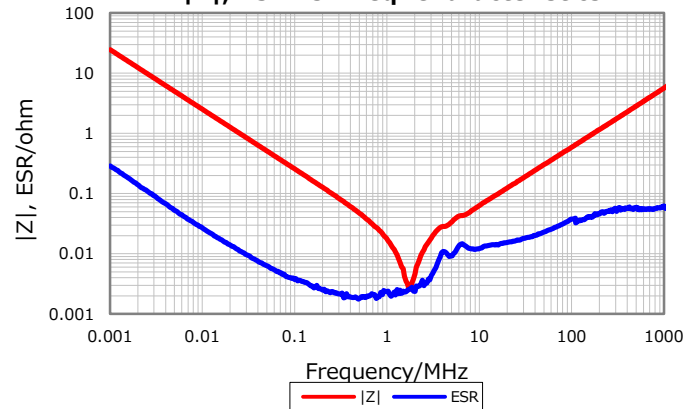
Insulation Resistance

14Mohm Min.

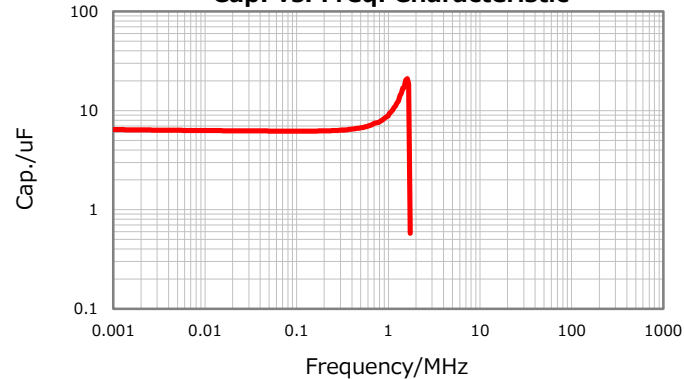
AEC-Q200

Not Applicable

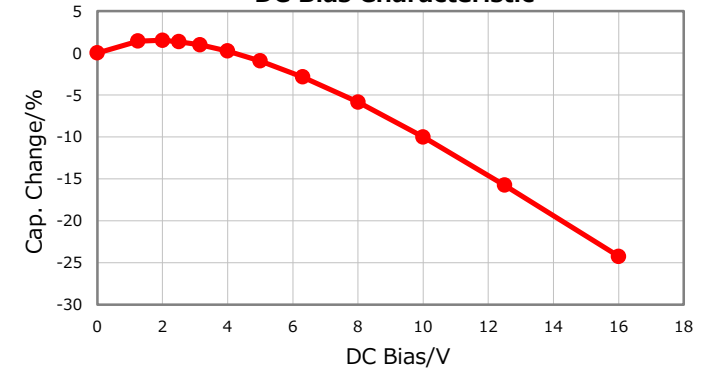
|Z|, ESR vs. Freq. Characteristics



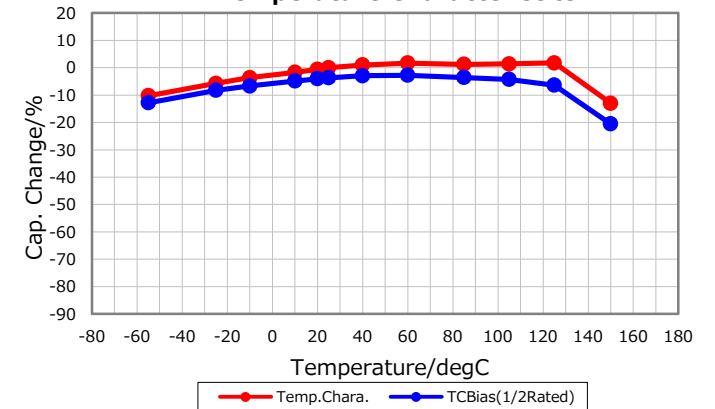
Cap. vs. Freq. Characteristic



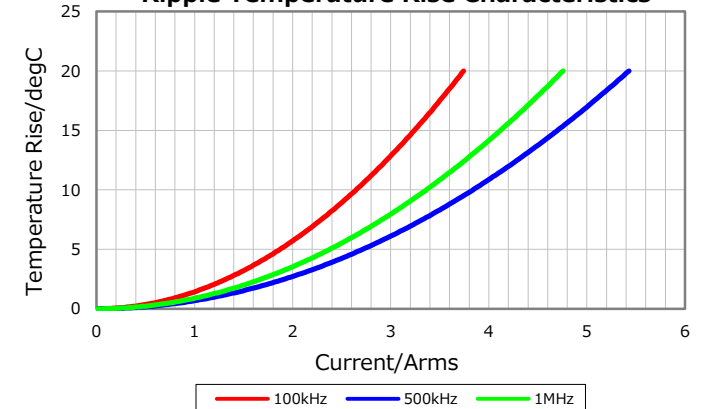
DC Bias Characteristic



Temperature Characteristics



Ripple Temperature Rise Characteristics



Characterization Sheet (Multilayer Ceramic Chip Capacitors)



All specifications are subject to change without notice.

June 5, 2018