

C4520X7R3D102K130KE

TDK Item Description : C4520X7R3D102KT**S

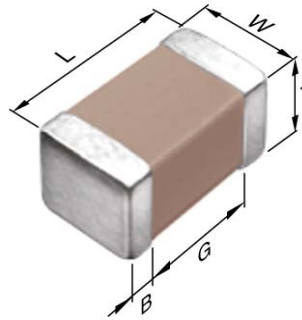


Application & Main Feature

Commercial Grade (Soft Termination)

Series

C4520 [EIA CC1808]



Dimensions

L	4.50mm +0.5,-0.4mm
W	2.00mm +0.3,-0.2mm
T	1.30mm +/-0.2mm
B	0.20mm Min.
G	

Temperature Characteristic

X7R (-55 to 125 degC +/-15%)

Rated Voltage

3D (2000Vdc)

Capacitance

1nF

Capacitance Tolerance

K (+/-10%)

Dissipation Factor

3% Max.

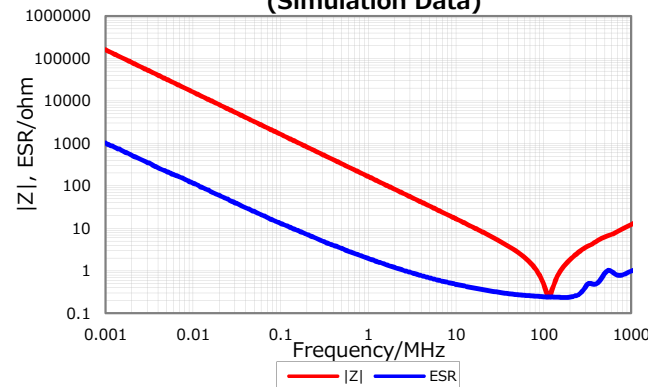
Insulation Resistance

10Gohm Min

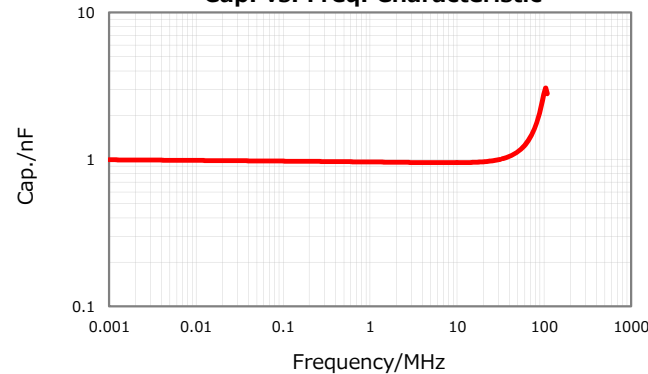
AEC-Q200

Not Applicable

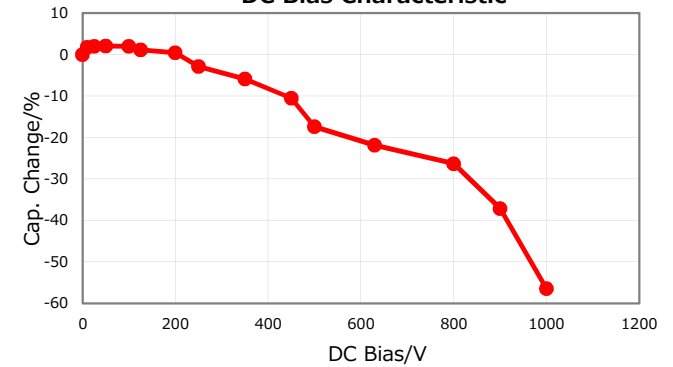
|Z|, ESR vs. Freq. Characteristics (Simulation Data)



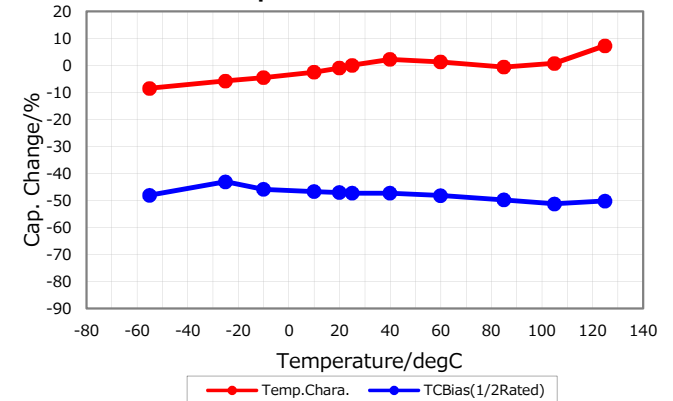
Cap. vs. Freq. Characteristic



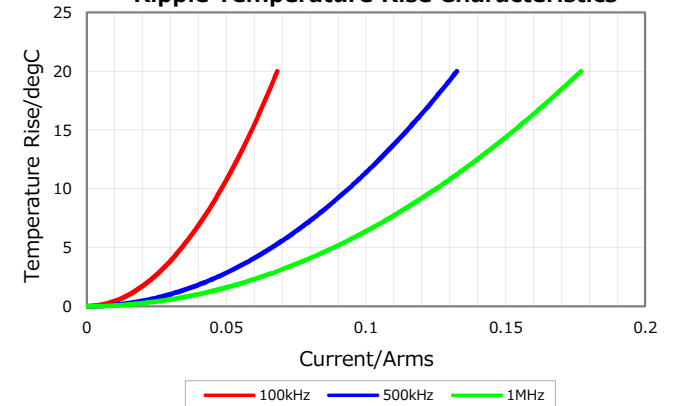
DC Bias Characteristic



Temperature Characteristics



Ripple Temperature Rise Characteristics



Characterization Sheet (Multilayer Ceramic Chip Capacitors)



All specifications are subject to change without notice.

September 8, 2017