

# C5750X7S2A226M280KB

TDK Item Description : C5750X7S2A226MT\*\*\*

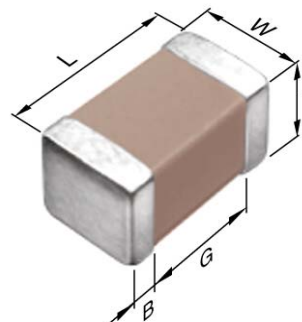


## Application & Main Feature

Commercial Grade ( Mid Voltage (100 to 630V) )

## Series

C5750 [EIA CC2220]



## Dimensions

- L 5.70mm +/-0.4mm
- W 5.00mm +/-0.4mm
- T 2.80mm +/-0.3mm
- B 0.20mm Min.
- G ---

## Temperature Characteristic

X7S (-55 to +125 degC +/-22%)

## Rated Voltage

2A (100Vdc)

## Capacitance

22uF

## Capacitance Tolerance

M (+/-20%)

## Dissipation Factor

5% Max.

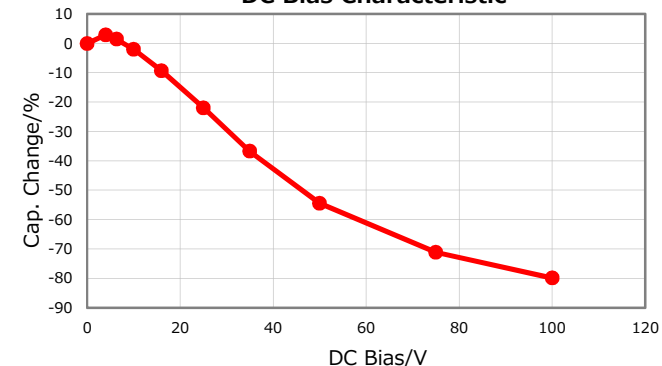
## Insulation Resistance

22Mohm Min.

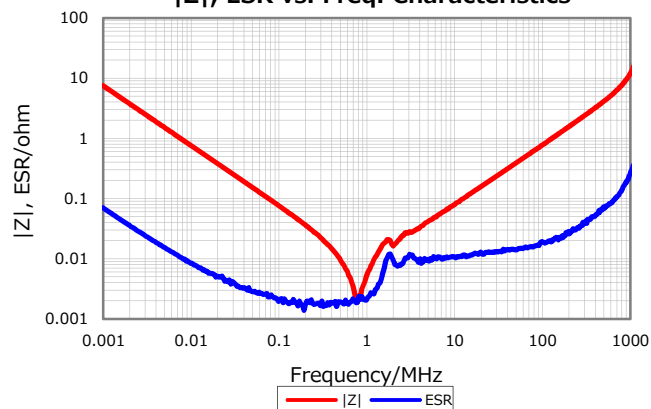
## AEC-Q200

Not Applicable

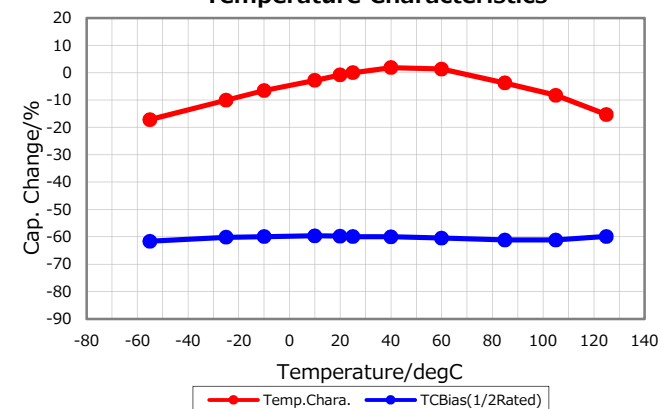
## DC Bias Characteristic



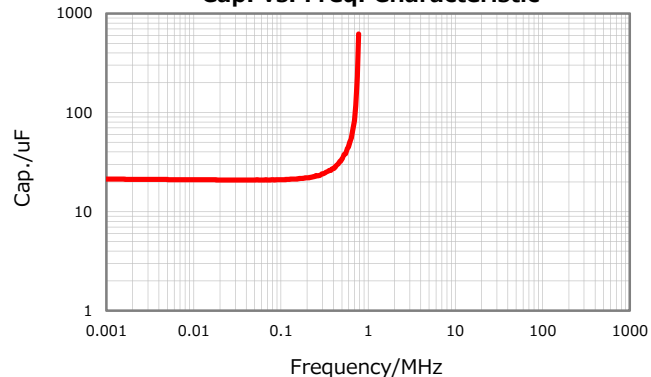
## |Z|, ESR vs. Freq. Characteristics



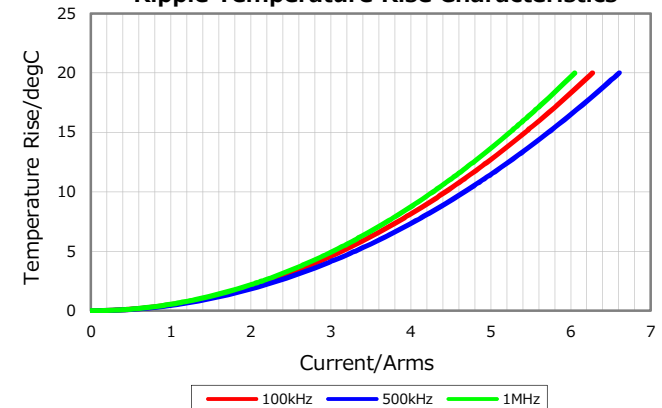
## Temperature Characteristics



## Cap. vs. Freq. Characteristic



## Ripple Temperature Rise Characteristics



Characterization Sheet ( Multilayer Ceramic Chip Capacitors )



All specifications are subject to change without notice.

March 28, 2019