

CAA572X7R1V107M670LH

TDK item description : CAA572X7R1V107MT***

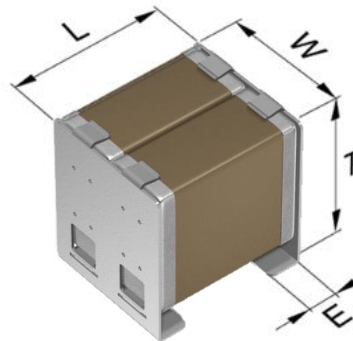


Application & Main Feature

Commercial grade (MEGACAP (Low resistance/Inline))

Series

CAA572(5750) [EIA 2220]



Dimensions

L 6.25±0.50 mm
W 5.00±0.50 mm
T 6.70±0.50 mm
E 1.20±0.20 mm

Temperature Characteristic

X7R (-55 to +125 degC, ±15%)

Rated Voltage

1V (35Vdc)

Capacitance

100µF

Capacitance Tolerance

M (±20%)

DF

5 % max.

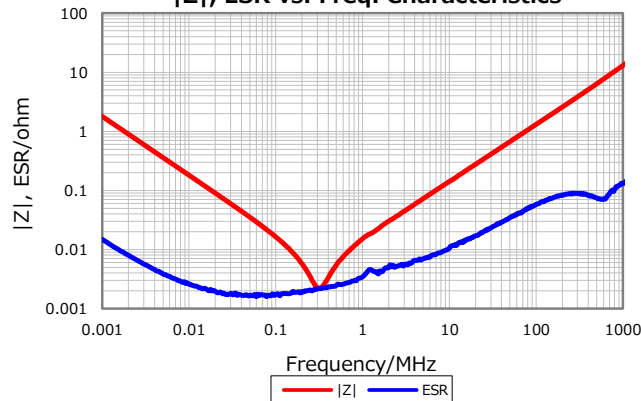
Insulation Resistance

5 Mohm min.

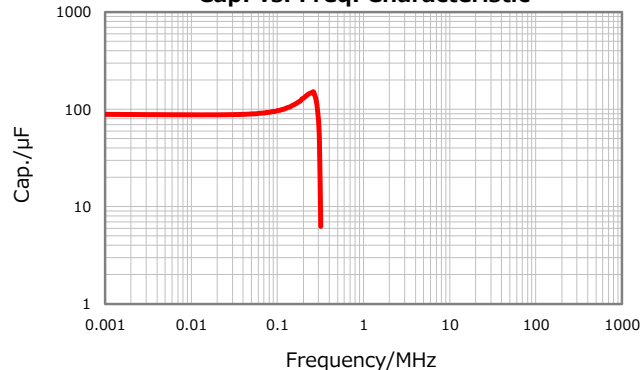
AEC-Q200

Not Applicable

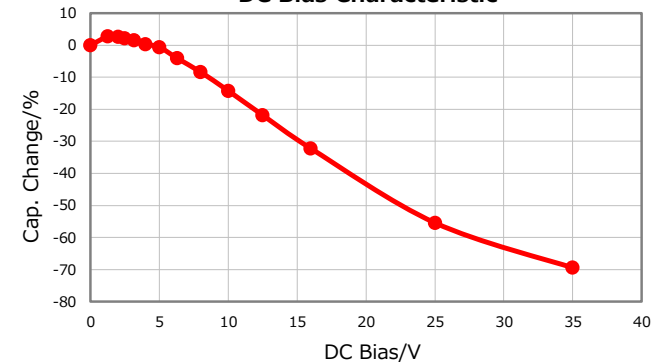
|Z|, ESR vs. Freq. Characteristics



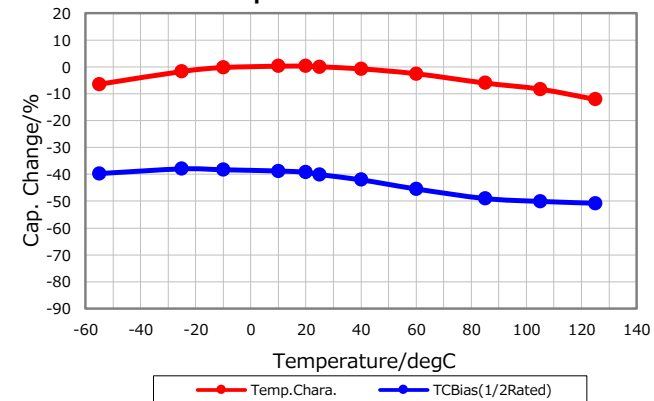
Cap. vs. Freq. Characteristic



DC Bias Characteristic



Temperature Characteristics



Ripple Temperature Rise Characteristics

