

# CAA573C0G2J304J640LH

TDK item description : CAA573C0G2J304JT\*\*\*\*

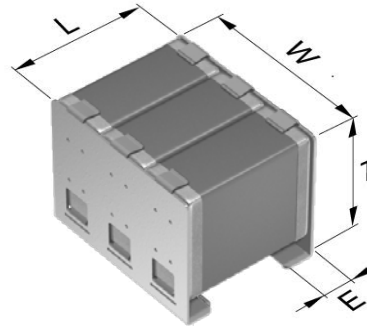


## Application & Main Feature

Commercial grade (MEGACAP (Low resistance/Inline))

## Series

CAA573(5750) [EIA 2220]



## Dimensions

L 6.00±0.50 mm  
 W 8.40±0.50 mm  
 T 6.40±0.50 mm  
 E 1.20±0.20 mm

## Temperature Characteristic

COG (-55 to +125 degC, 0±30ppm/°C)

## Rated Voltage

2J (630Vdc)

## Capacitance

300nF

## Capacitance Tolerance

J (±5%)

## Q

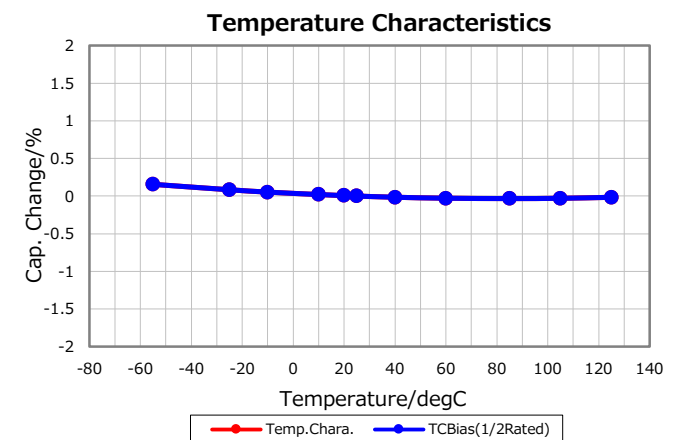
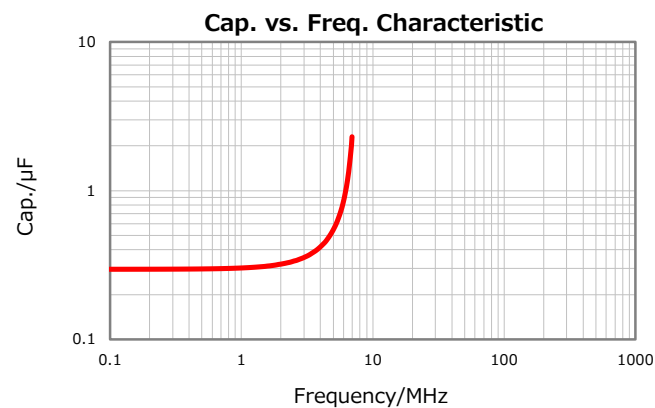
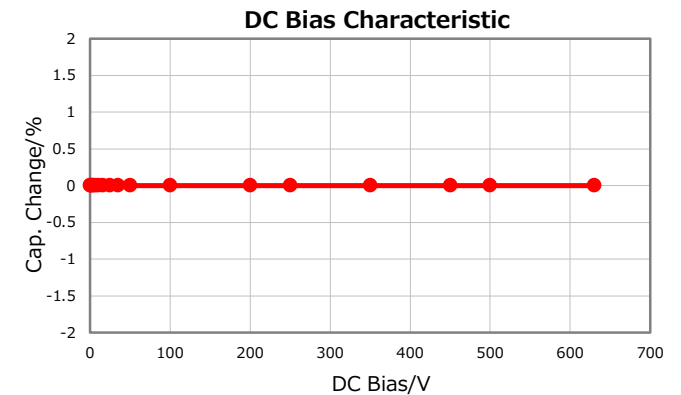
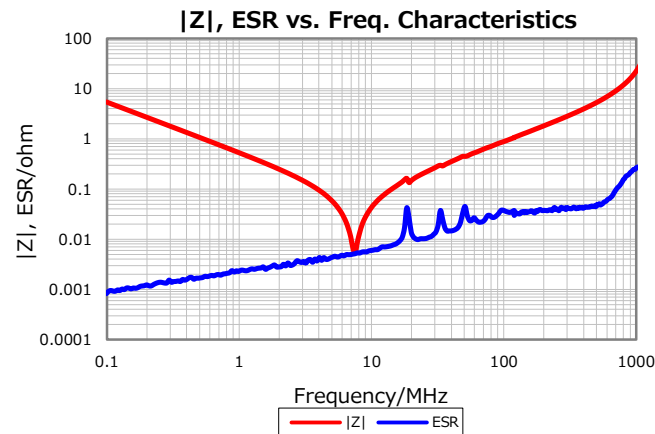
1000 min.

## Insulation Resistance

1666 Mohm min.

## AEC-Q200

Not Applicable



Characterization Sheet ( Multilayer Ceramic Chip Capacitors )



All specifications are subject to change without notice.

August 20, 2022