

CGA2B2NP02A471J050BA

TDK item description : CGA2B2NP02A471JT****



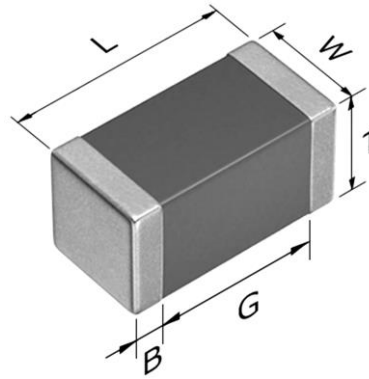
Equivalent C1005NP02A471J for Automotive

Application & Main Feature

Automotive grade (General type)

Series

CGA2(1005) [EIA 0402]



Dimensions

L 1.00±0.10 mm
 W 0.50±0.10 mm
 T 0.50±0.10 mm
 B 0.10 mm min.
 G 0.30 mm min.

Temperature Characteristic

NP0 (-55 to +150 degC, 0±30ppm/°C)

Rated Voltage

2A (100Vdc)

Capacitance

470pF

Capacitance Tolerance

J (±5%)

Q

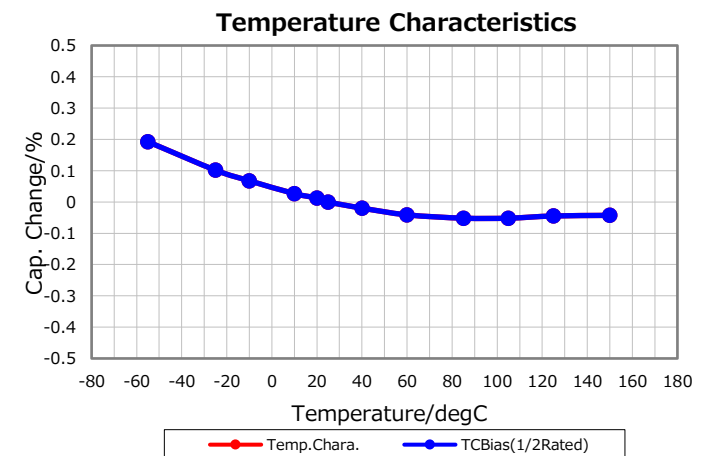
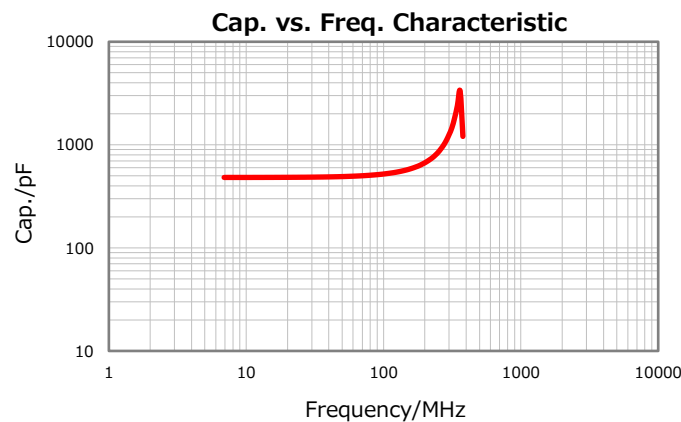
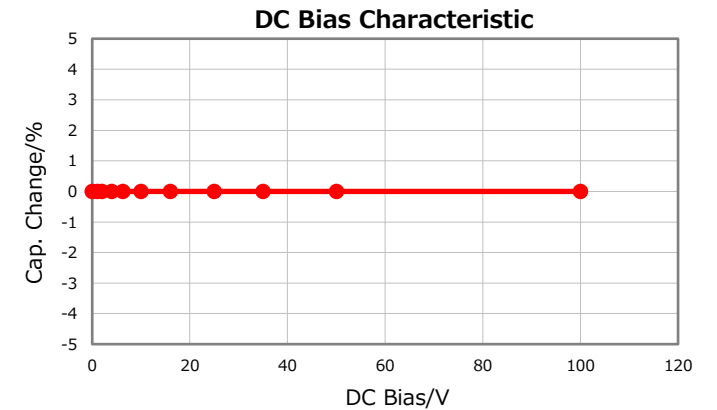
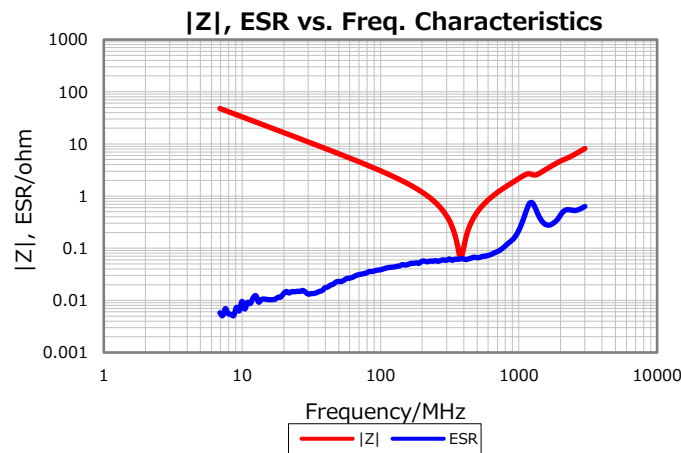
1000 min.

Insulation Resistance

10000 Mohm min.

AEC-Q200

Yes



Characterization Sheet (Multilayer Ceramic Chip Capacitors)



All specifications are subject to change without notice.

February 5, 2021