

# CGA2B2X8R2A221K050BE

TDK Item Description : CGA2B2X8R2A221KT\*\*\*S



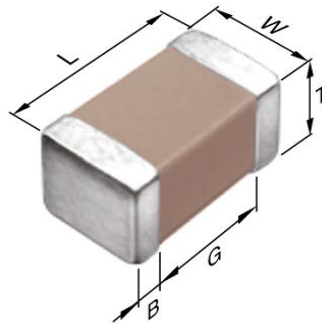
Equivalent C1005X8R2A221K for Automotive

## Application & Main Feature

Automotive Grade ( Soft Termination )

## Series

CGA2(1005) [EIA CC0402]



## Dimensions

|   |                      |
|---|----------------------|
| L | 1.00mm +0.15,-0.05mm |
| W | 0.50mm +0.1,-0.05mm  |
| T | 0.50mm +0.1,-0.05mm  |
| B | 0.10mm Min.          |
| G | 0.30mm Min.          |

## Temperature Characteristic

X8R (-55 to 150 degC +/-15%)

## Rated Voltage

2A (100Vdc)

## Capacitance

220pF

## Capacitance Tolerance

K (+/-10%)

## Dissipation Factor

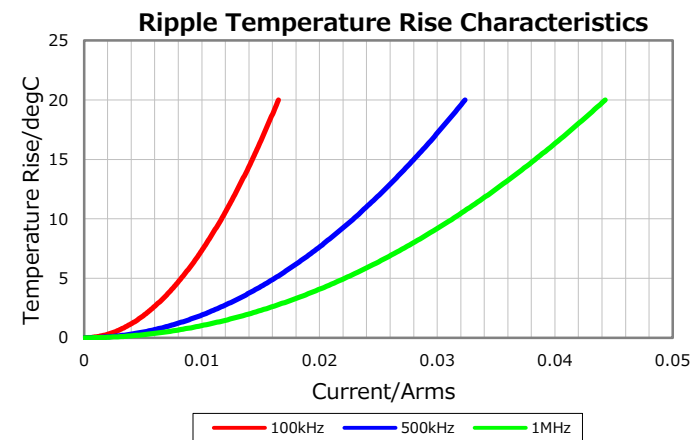
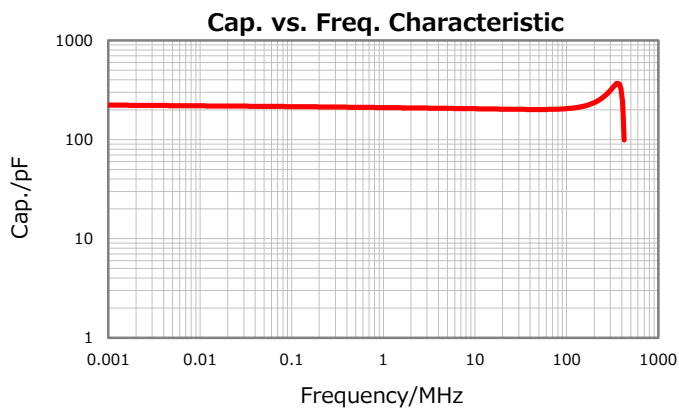
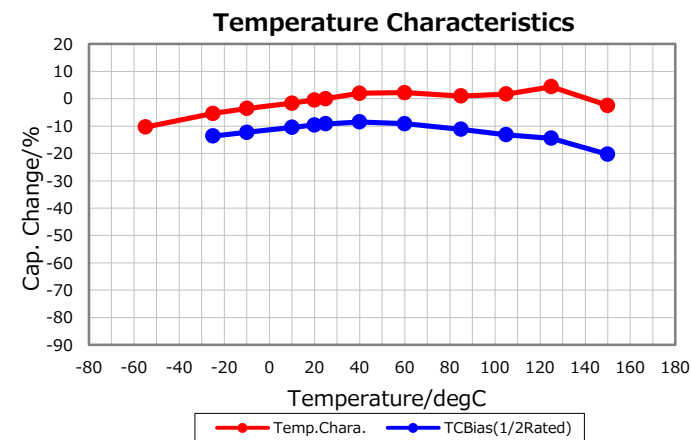
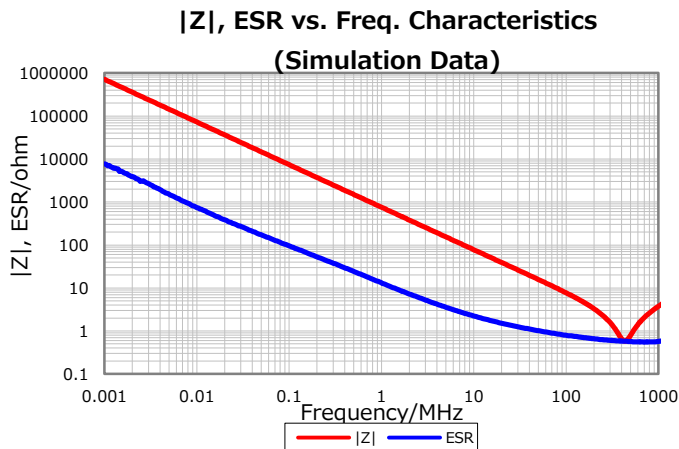
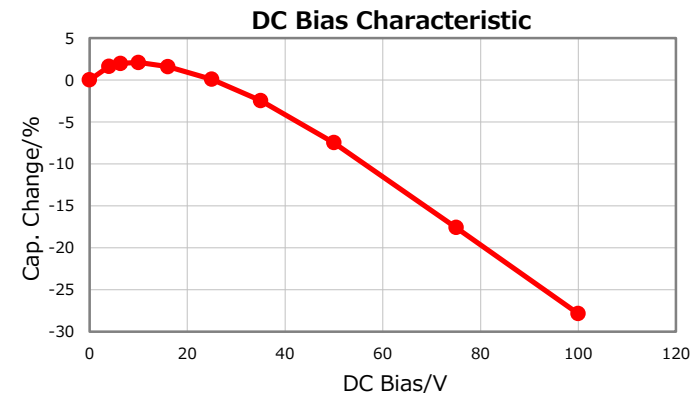
3% Max.

## Insulation Resistance

10Gohm Min

## AEC-Q200

Yes



Characterization Sheet ( Multilayer Ceramic Chip Capacitors )



All specifications are subject to change without notice.

March 16, 2017