

# CGA2B3X7R1E154M050BB

TDK item description : CGA2B3X7R1E154MT\*\*\*\*



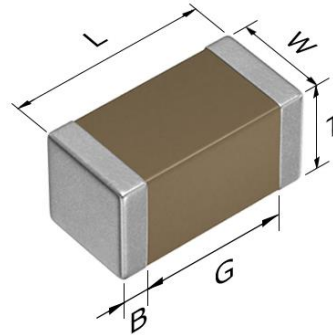
Equivalent C1005X7R1E154M for Automotive

## Application & Main Feature

Automotive grade (General type)

## Series

CGA2(1005) [EIA 0402]



## Dimensions

L 1.00±0.05 mm  
 W 0.50±0.05 mm  
 T 0.50±0.05 mm  
 B 0.10 mm min.  
 G 0.30 mm min.

## Temperature Characteristic

X7R (-55 to +125 degC, ±15%)

## Rated Voltage

1E (25Vdc)

## Capacitance

150nF

## Capacitance Tolerance

M (±20%)

## DF

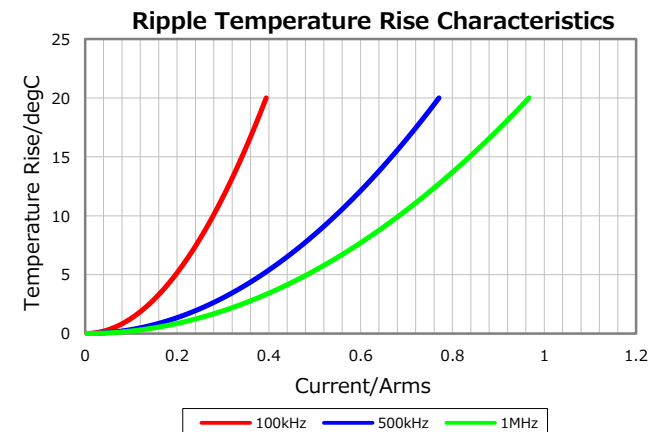
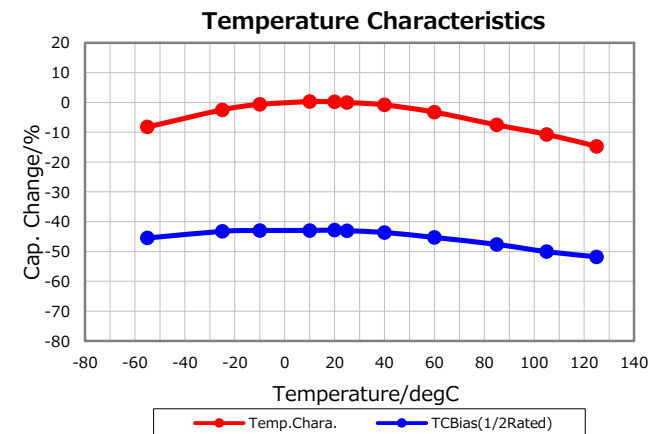
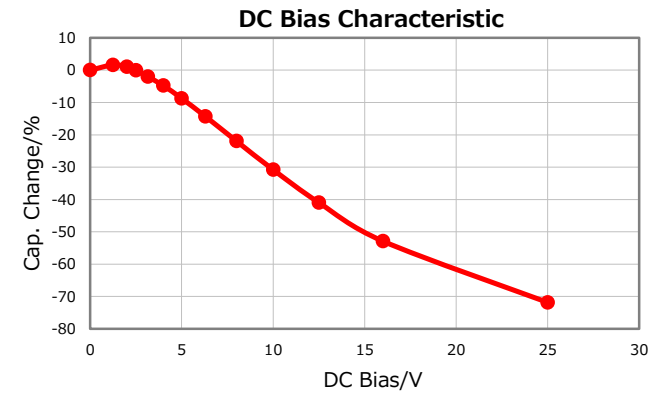
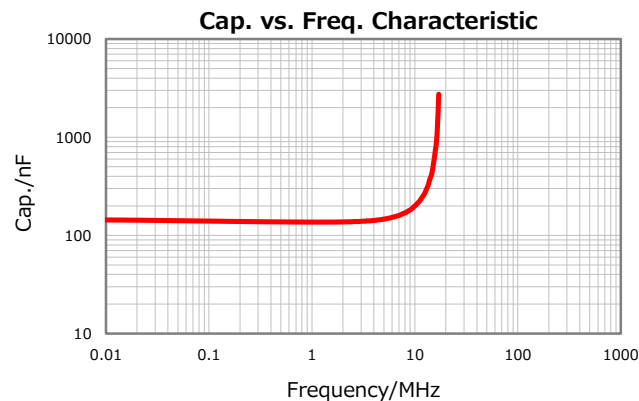
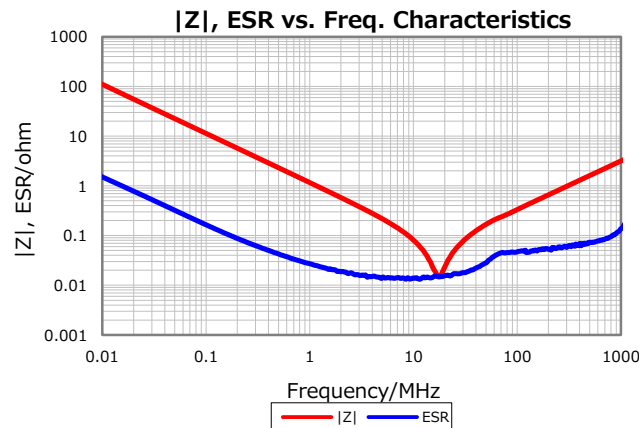
5 % max.

## Insulation Resistance

3333 Mohm min.

## AEC-Q200

Yes



Characterization Sheet ( Multilayer Ceramic Chip Capacitors)



⚠ All specifications are subject to change without notice.

January 5, 2021