

CGA2B3X7R1E224M050BE

TDK item description : CGA2B3X7R1E224MT***S



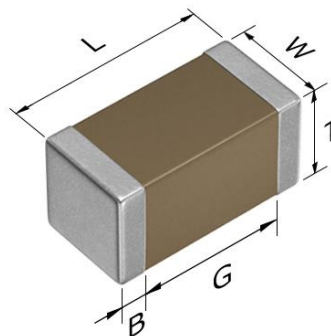
Equivalent C1005X7R1E224M for Automotive

Application & Main Feature

Automotive grade (Soft termination)

Series

CGA2(1005) [EIA 0402]



Dimensions

L 1.00+0.15,-0.05 mm
 W 0.50+0.10,-0.05 mm
 T 0.50+0.10,-0.05 mm
 B 0.10 mm min.
 G 0.30 mm min.

Temperature Characteristic

X7R (-55 to +125 degC, ±15%)

Rated Voltage

1E (25Vdc)

Capacitance

220nF

Capacitance Tolerance

M (±20%)

DF

5 % max.

Insulation Resistance

2272 Mohm min.

AEC-Q200

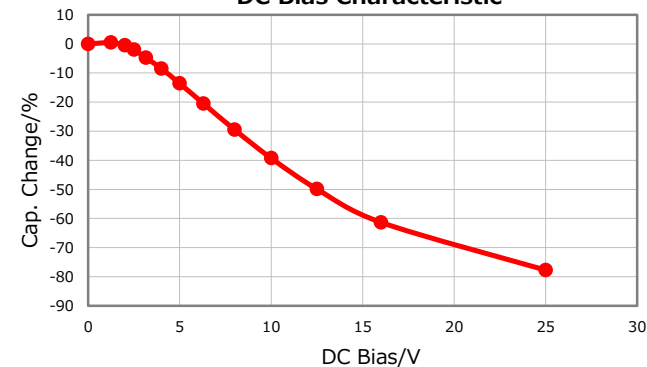
Yes

Characterization Sheet (Multilayer Ceramic Chip Capacitors)

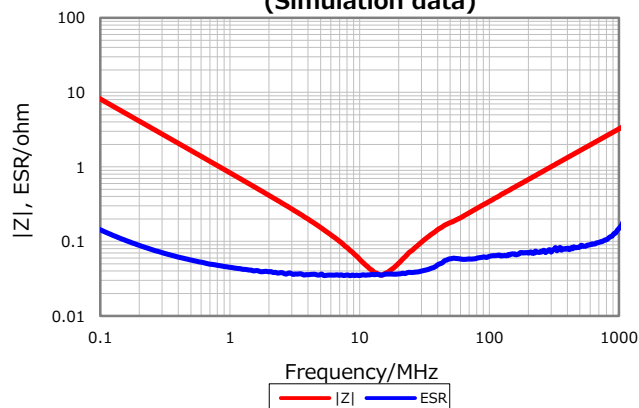


All specifications are subject to change without notice.

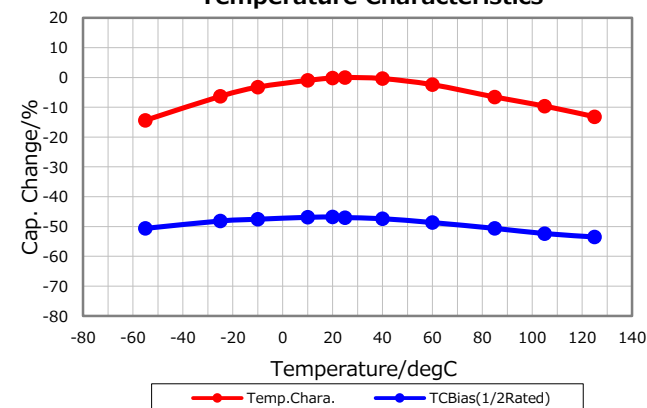
DC Bias Characteristic



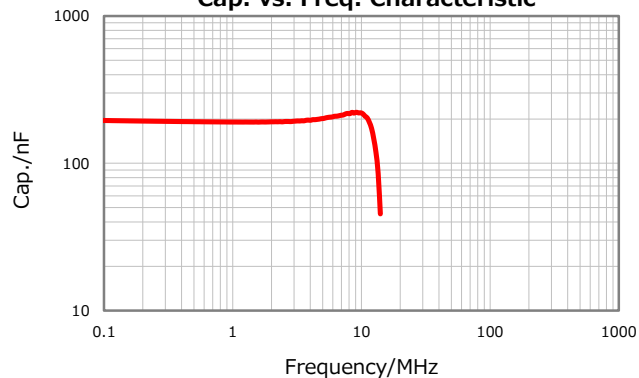
|Z|, ESR vs. Freq. Characteristics (Simulation data)



Temperature Characteristics



Cap. vs. Freq. Characteristic



Ripple Temperature Rise Characteristics

