

# CGA2B3X7S1A474M050BE

TDK item description : CGA2B3X7S1A474MT\*\*\*S



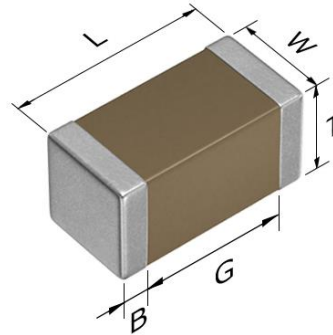
Equivalent C1005X7S1A474M for Automotive

## Application & Main Feature

Automotive grade (Soft termination)

## Series

CGA2(1005) [EIA 0402]



## Dimensions

L 1.00+0.15,-0.05 mm  
 W 0.50+0.10,-0.05 mm  
 T 0.50+0.10,-0.05 mm  
 B 0.10 mm min.  
 G 0.30 mm min.

## Temperature Characteristic

X7S (-55 to +125 degC, ±22%)

## Rated Voltage

1A (10Vdc)

## Capacitance

470nF

## Capacitance Tolerance

M (±20%)

## DF

7.5 % max.

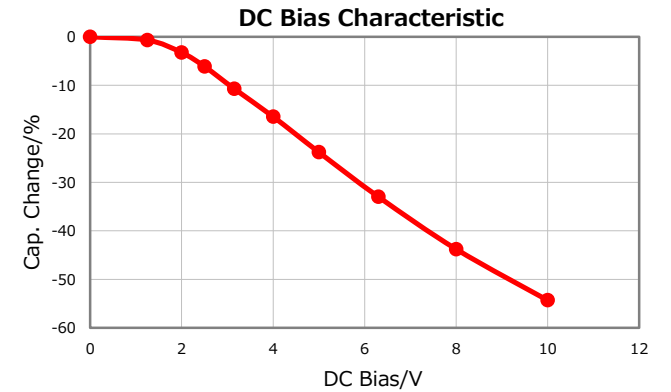
## Insulation Resistance

212 Mohm min.

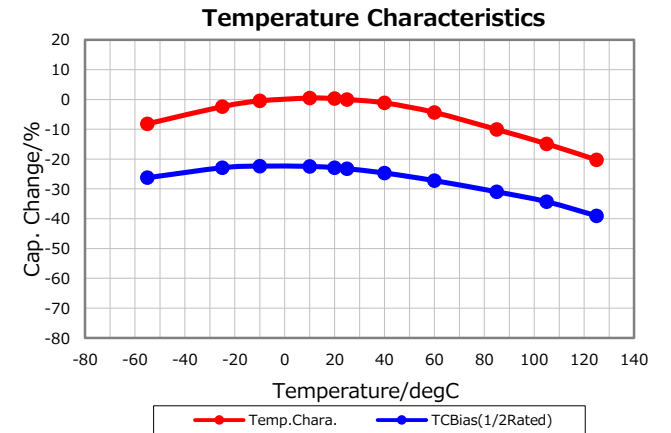
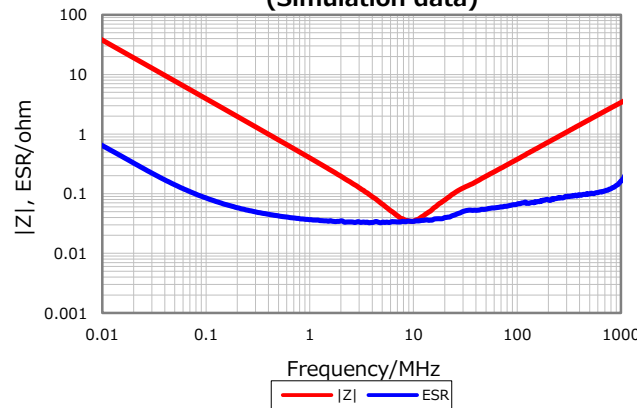
## AEC-Q200

Yes

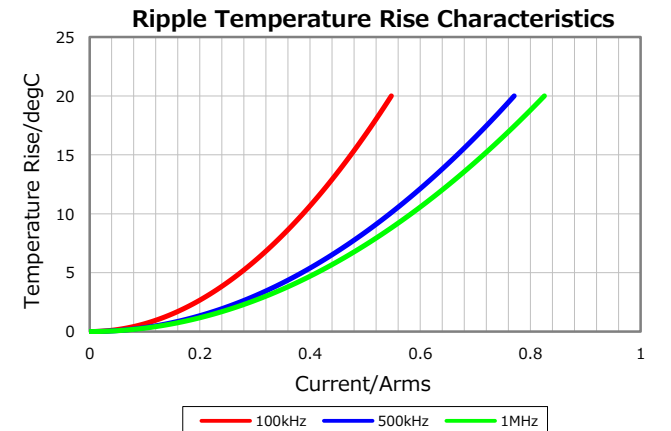
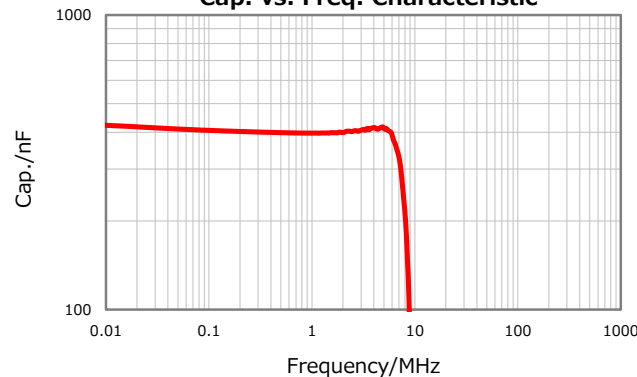
Characterization Sheet ( Multilayer Ceramic Chip Capacitors )



**|Z|, ESR vs. Freq. Characteristics (Simulation data)**



**Cap. vs. Freq. Characteristic**



⚠ All specifications are subject to change without notice.

January 5, 2021