

CGA3E1C0G2A272J080AE

TDK item description : CGA3E1C0G2A272JT***S



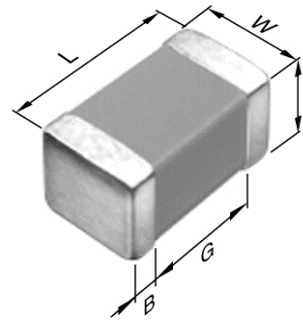
Equivalent C1608C0G2A272J for Automotive

Application & Main Feature

Automotive grade (Soft termination)

Series

CGA3(1608) [EIA 0603]



Dimensions

| | |
|---|--------------------|
| L | 1.60+0.20/-0.10 mm |
| W | 0.80+0.15/-0.10 mm |
| T | 0.80+0.15/-0.10 mm |
| B | 0.20 mm min. |
| G | 0.30 mm min. |

Temperature Characteristic

C0G (-55 to +125 degC, 0±30ppm/°C)

Rated Voltage

2A (100Vdc)

Capacitance

2.7nF

Capacitance Tolerance

J (±5%)

Q

1000 min.

Insulation Resistance

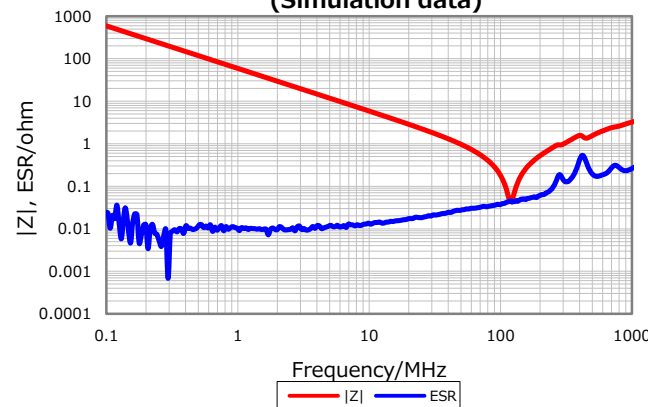
10000 Mohm min.

AEC-Q200

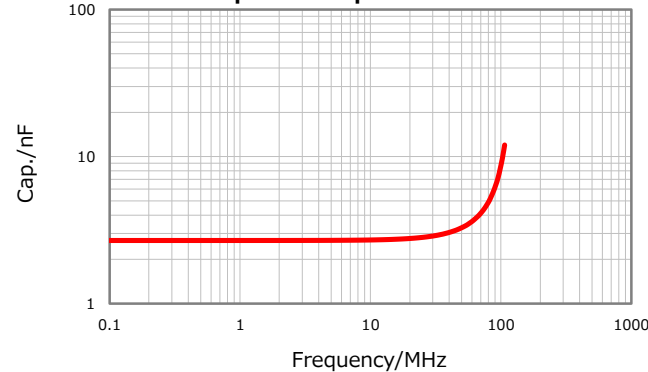
Yes

Characterization Sheet (Multilayer Ceramic Chip Capacitors)

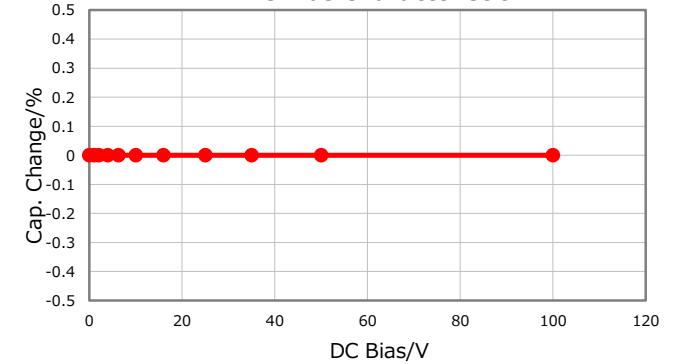
|Z|, ESR vs. Freq. Characteristics (Simulation data)



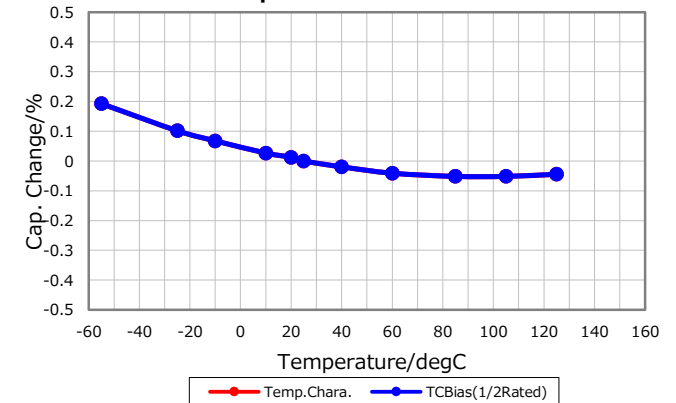
Cap. vs. Freq. Characteristic



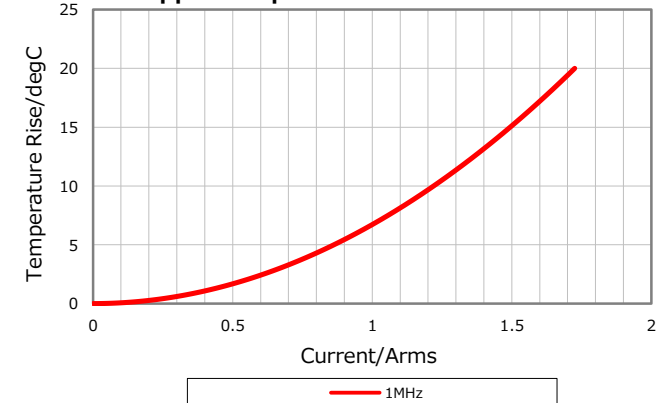
DC Bias Characteristic



Temperature Characteristics



Ripple Temperature Rise Characteristic



All specifications are subject to change without notice.

June 3, 2020