

# CGA3E1C0G2A332J080AE

TDK item description : CGA3E1C0G2A332JT\*\*\*S



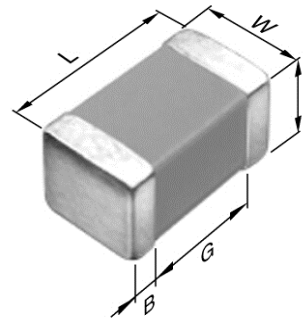
Equivalent C1608C0G2A332J for Automotive

## Application & Main Feature

Automotive grade (Soft termination)

## Series

CGA3(1608) [EIA 0603]



## Dimensions

L	1.60+0.20/-0.10 mm
W	0.80+0.15/-0.10 mm
T	0.80+0.15/-0.10 mm
B	0.20 mm min.
G	0.30 mm min.

## Temperature Characteristic

C0G (-55 to +125 degC, 0±30ppm/°C)

## Rated Voltage

2A (100Vdc)

## Capacitance

3.3nF

## Capacitance Tolerance

J (±5%)

## Q

1000 min.

## Insulation Resistance

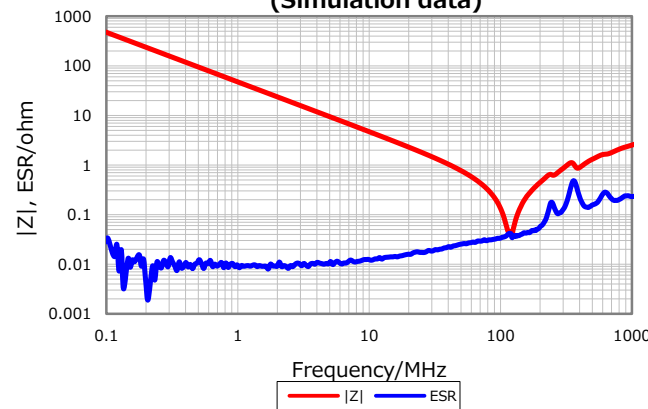
10000 Mohm min.

## AEC-Q200

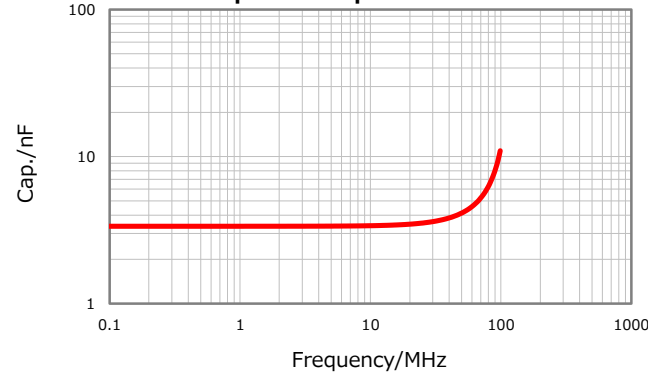
Yes

Characterization Sheet (Multilayer Ceramic Chip Capacitors)

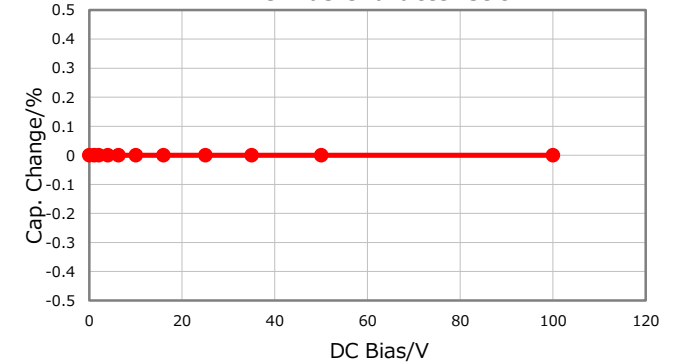
**|Z|, ESR vs. Freq. Characteristics (Simulation data)**



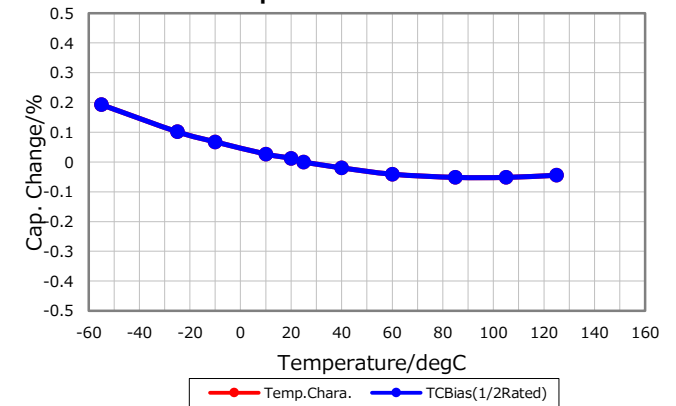
**Cap. vs. Freq. Characteristic**



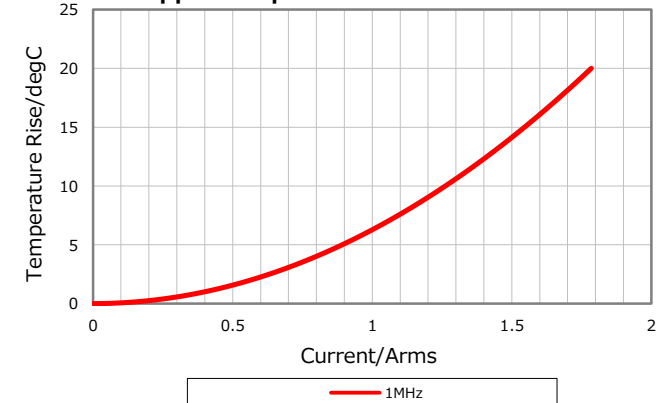
**DC Bias Characteristic**



**Temperature Characteristics**



**Ripple Temperature Rise Characteristic**



All specifications are subject to change without notice.

June 3, 2020