

# CGA3E1X5R1A335K080AC

TDK Item Description : CGA3E1X5R1A335KT\*\*\*\*



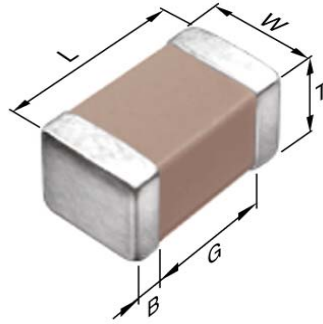
Equivalent C1608X5R1A335K for Automotive

## Application & Main Feature

Automotive Grade ( General (Up to 50V) )

## Series

CGA3(1608) [EIA CC0603]



## Dimensions

L 1.60mm +/-0.1mm  
 W 0.80mm +/-0.1mm  
 T 0.80mm +/-0.1mm  
 B 0.20mm Min.  
 G 0.30mm Min.

## Temperature Characteristic

X5R (-55 to 85 degC +/-15%)

## Rated Voltage

1A (10Vdc)

## Capacitance

3.3uF

## Capacitance Tolerance

K (+/-10%)

## Dissipation Factor

10% Max.

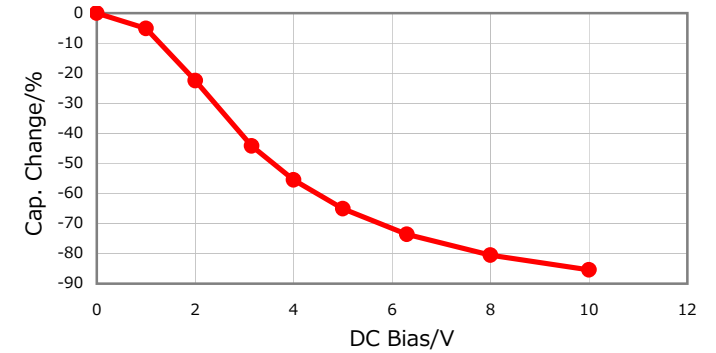
## Insulation Resistance

30Mohm Min.

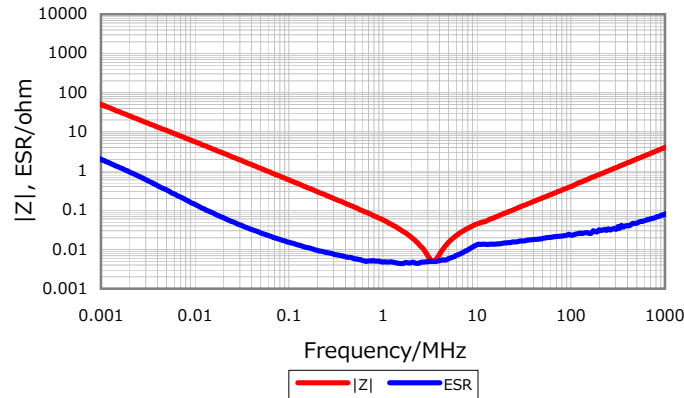
## AEC-Q200

Yes

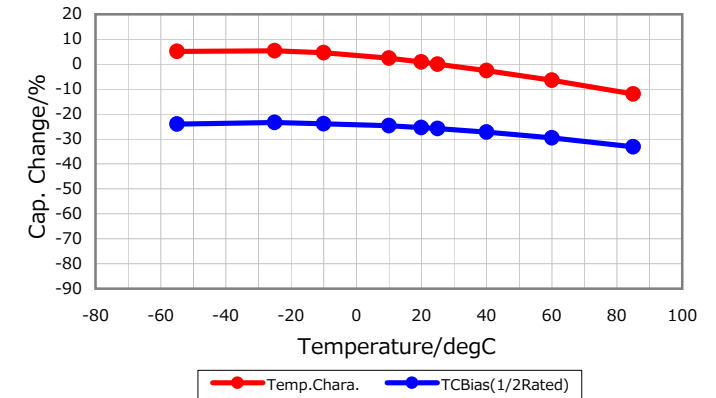
## DC Bias Characteristic



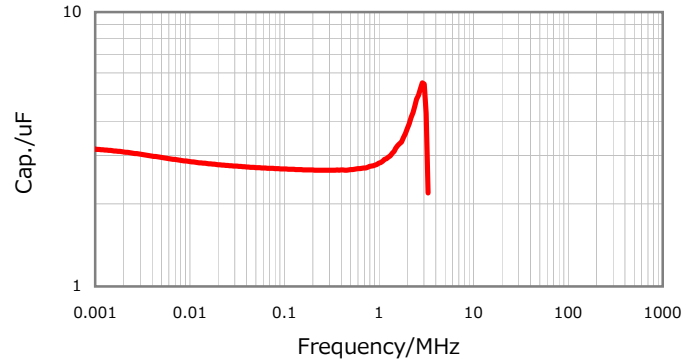
## |Z|, ESR vs. Freq. Characteristics



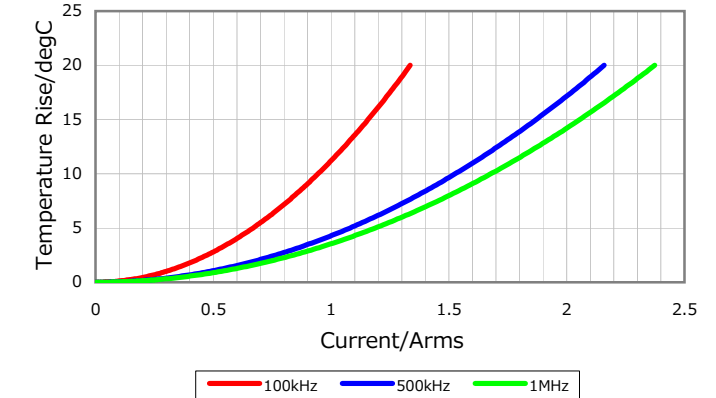
## Temperature Characteristics



## Cap. vs. Freq. Characteristic



## Ripple Temperature Rise Characteristics



Characterization Sheet ( Multilayer Ceramic Chip Capacitors )



⚠ All specifications are subject to change without notice.

January 4, 2016