

CGA3E1X7R1E105K080AC

TDK item description : CGA3E1X7R1E105KT***



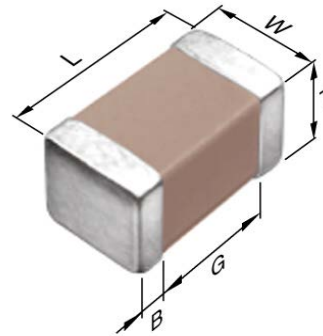
Equivalent C1608X7R1E105K for Automotive

Application & Main Feature

Automotive grade (General type)

Series

CGA3(1608) [EIA 0603]



Dimensions

L	1.60±0.10 mm
W	0.80±0.10 mm
T	0.80±0.10 mm
B	0.20 mm min.
G	0.30 mm min.

Temperature Characteristic

X7R (-55 to +125 degC, ±15%)

Rated Voltage

1E (25Vdc)

Capacitance

1µF

Capacitance Tolerance

K (±10%)

Dissipation Factor

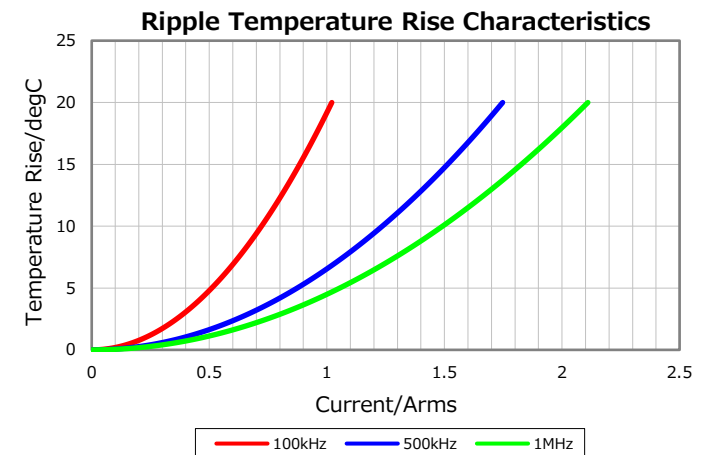
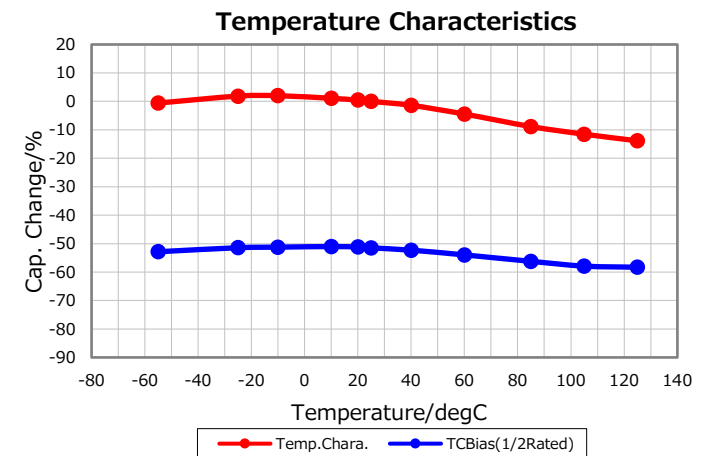
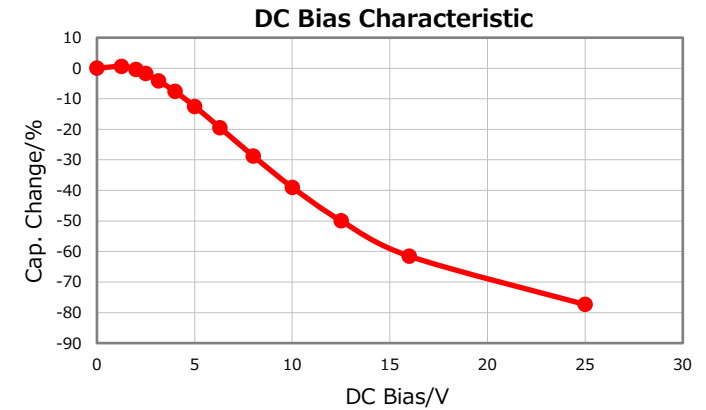
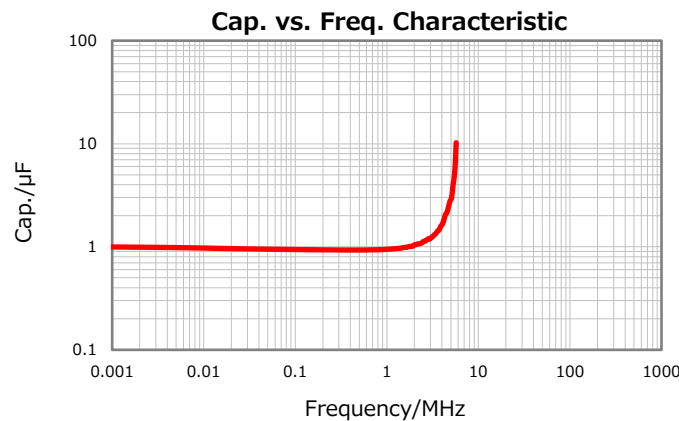
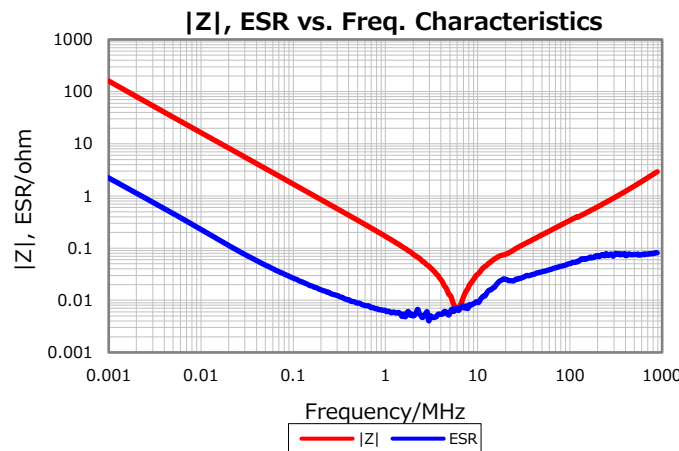
7.5 % max.

Insulation Resistance

500 Mohm min.

AEC-Q200

Yes



Characterization Sheet (Multilayer Ceramic Chip Capacitors)



All specifications are subject to change without notice.

February 7, 2020