

# CGA3E1X7R1E105M080AC

TDK item description : CGA3E1X7R1E105MT\*\*\*\*



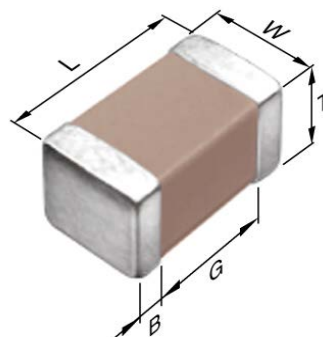
Equivalent C1608X7R1E105M for Automotive

## Application & Main Feature

Automotive grade (General type)

## Series

CGA3(1608) [EIA 0603]



## Dimensions

- L 1.60±0.10 mm
- W 0.80±0.10 mm
- T 0.80±0.10 mm
- B 0.20 mm min.
- G 0.30 mm min.

## Temperature Characteristic

X7R (-55 to +125 degC, ±15%)

## Rated Voltage

1E (25Vdc)

## Capacitance

1µF

## Capacitance Tolerance

M (±20%)

## Dissipation Factor

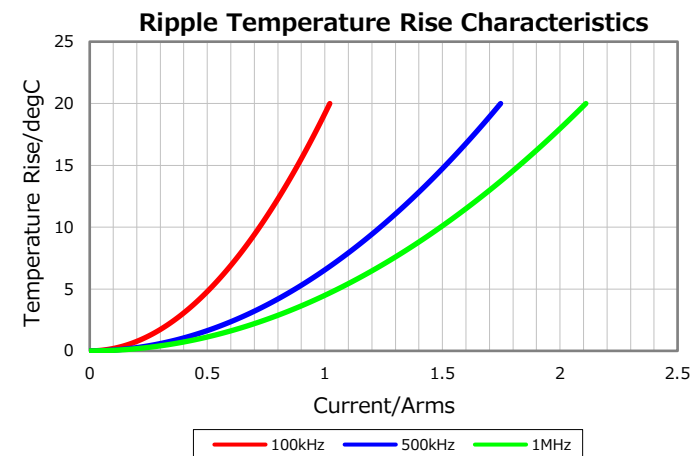
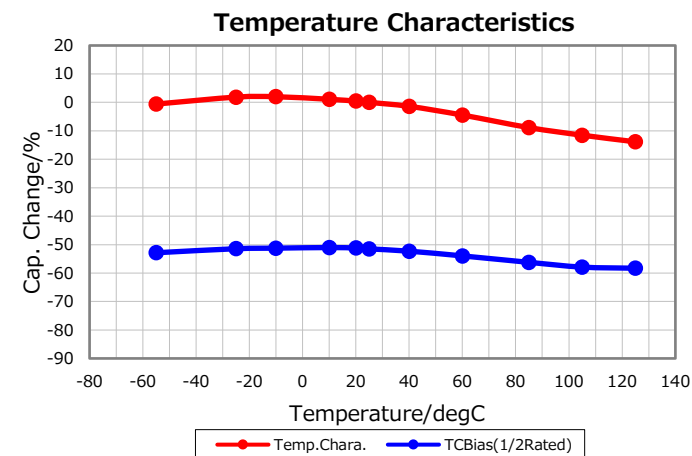
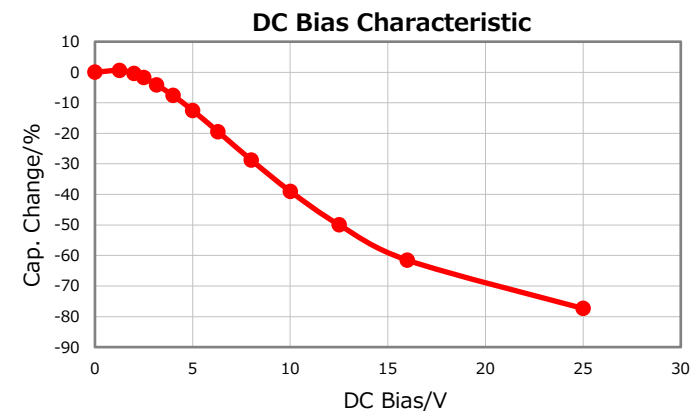
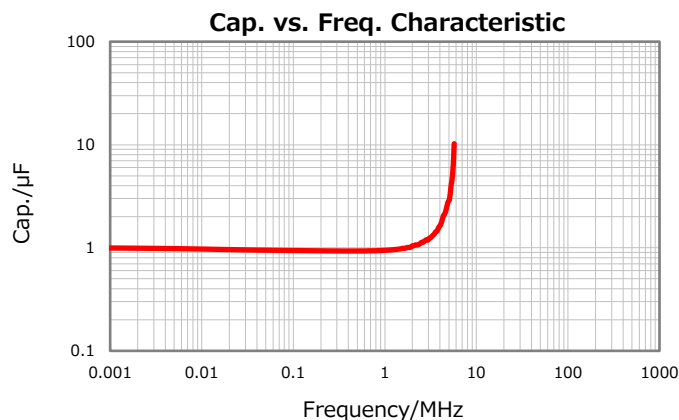
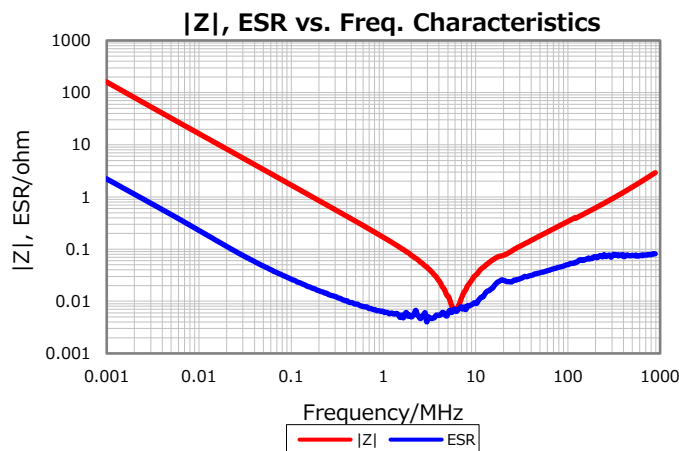
7.5 % max.

## Insulation Resistance

500 Mohm min.

## AEC-Q200

Yes



Characterization Sheet ( Multilayer Ceramic Chip Capacitors)



All specifications are subject to change without notice.

February 7, 2020