

CGA3E1X7R1E105M080AE

TDK item description : CGA3E1X7R1E105MT***S



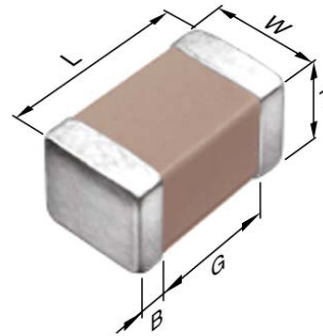
Equivalent C1608X7R1E105M for Automotive

Application & Main Feature

Automotive grade (Soft termination)

Series

CGA3(1608) [EIA 0603]



Dimensions

L 1.60+0.20/-0.10 mm
 W 0.80+0.15/-0.10 mm
 T 0.80+0.15/-0.10 mm
 B 0.20 mm min.
 G 0.30 mm min.

Temperature Characteristic

X7R (-55 to +125 degC, ±15%)

Rated Voltage

1E (25Vdc)

Capacitance

1µF

Capacitance Tolerance

M (±20%)

Dissipation Factor

7.5 % max.

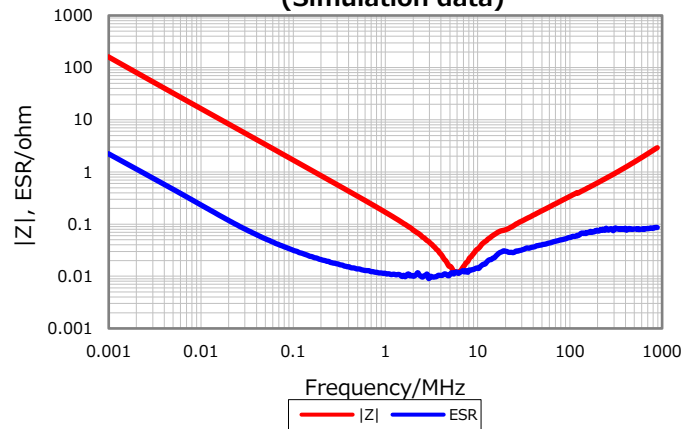
Insulation Resistance

500 Mohm min.

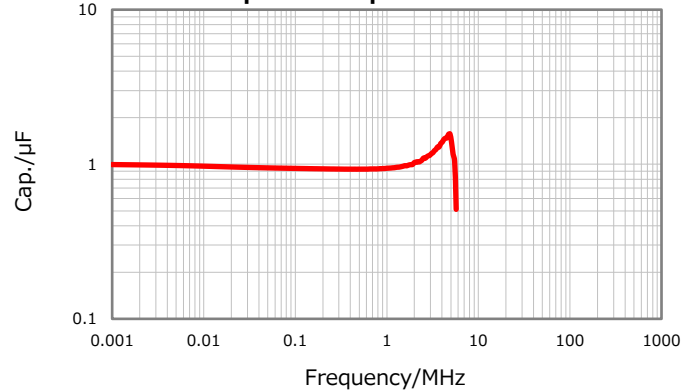
AEC-Q200

Yes

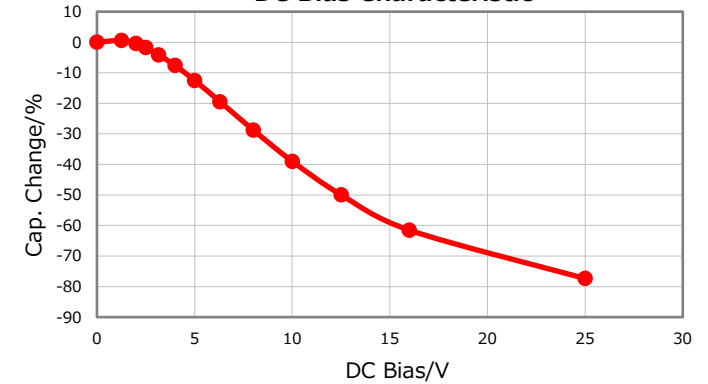
|Z|, ESR vs. Freq. Characteristics
(Simulation data)



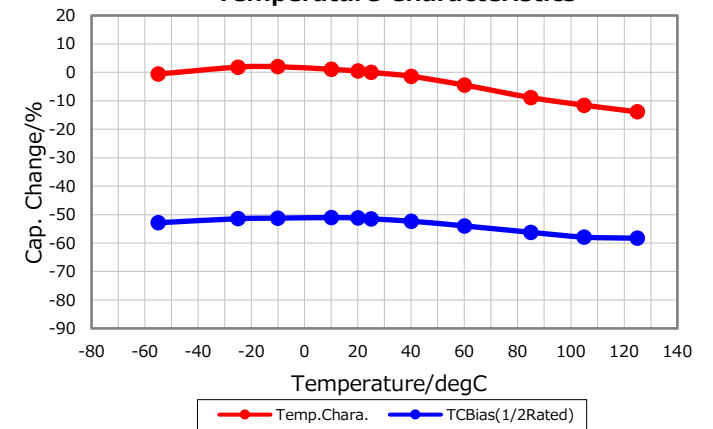
Cap. vs. Freq. Characteristic



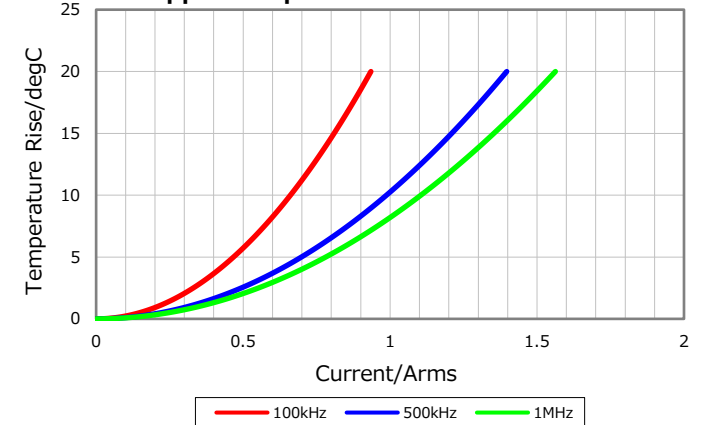
DC Bias Characteristic



Temperature Characteristics



Ripple Temperature Rise Characteristics



Characterization Sheet (Multilayer Ceramic Chip Capacitors)



All specifications are subject to change without notice.

February 7, 2020