

# CGA3E1X7S1C225M080AE

TDK item description : CGA3E1X7S1C225MT\*\*\*S



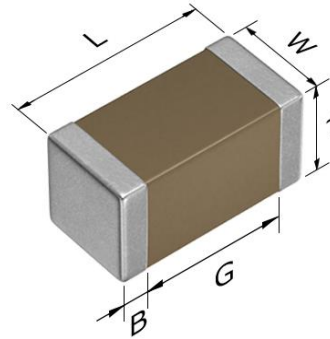
Equivalent C1608X7S1C225M for Automotive

## Application & Main Feature

Automotive grade (Soft termination)

## Series

CGA3(1608) [EIA 0603]



## Dimensions

L 1.60+0.20,-0.10 mm  
 W 0.80+0.15,-0.10 mm  
 T 0.80+0.15,-0.10 mm  
 B 0.20 mm min.  
 G 0.30 mm min.

## Temperature Characteristic

X7S (-55 to +125 degC, ±22%)

## Rated Voltage

1C (16Vdc)

## Capacitance

2.2µF

## Capacitance Tolerance

M (±20%)

## DF

7.5 % max.

## Insulation Resistance

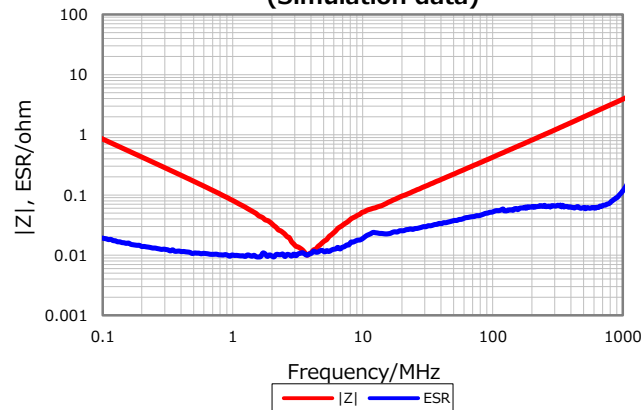
45 Mohm min.

## AEC-Q200

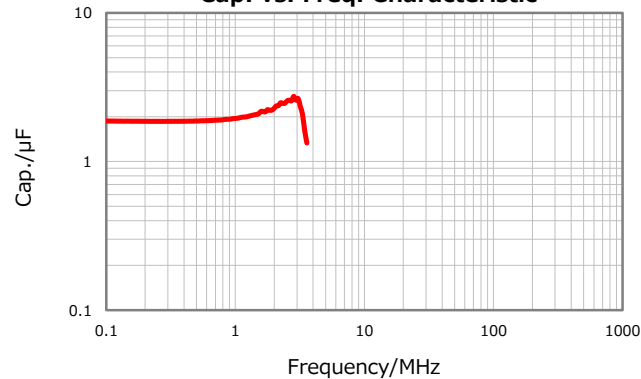
Yes

Characterization Sheet ( Multilayer Ceramic Chip Capacitors )

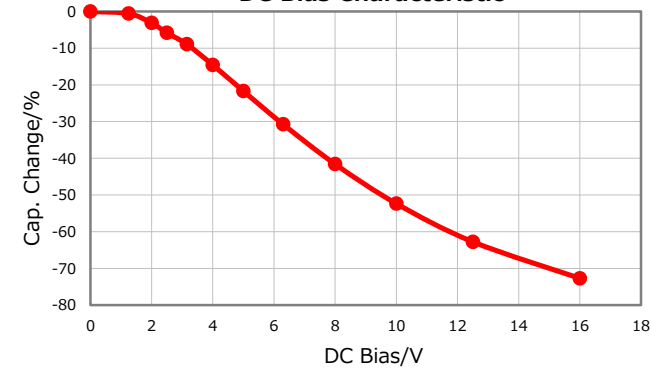
**|Z|, ESR vs. Freq. Characteristics (Simulation data)**



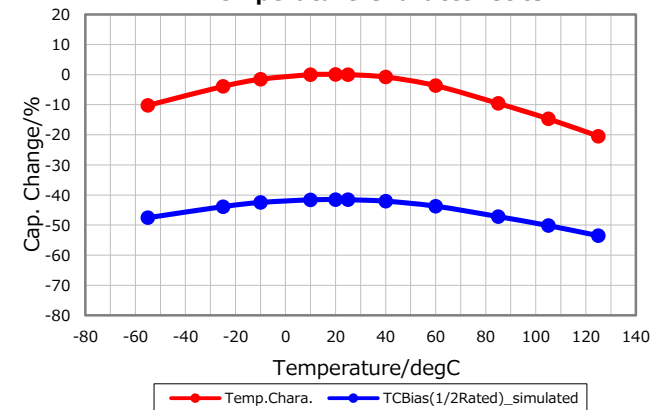
**Cap. vs. Freq. Characteristic**



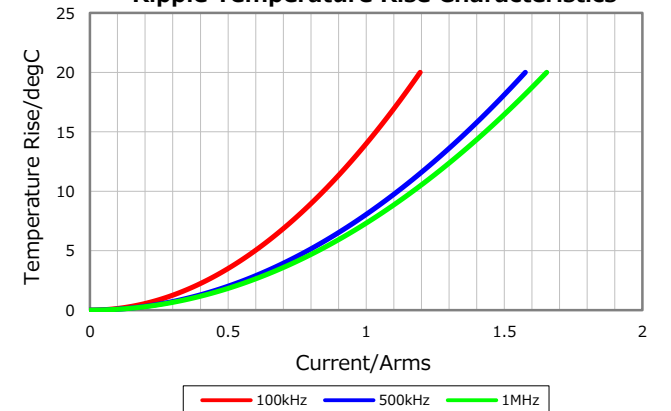
**DC Bias Characteristic**



**Temperature Characteristics**



**Ripple Temperature Rise Characteristics**



⚠ All specifications are subject to change without notice.

January 10, 2021