

# CGA3E1X7T0G106M080AC

TDK Item Description : CGA3E1X7T0G106MT\*\*\*\*



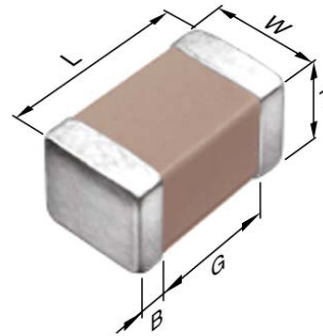
Equivalent C1608X7T0G106M for Automotive

## Application & Main Feature

Automotive Grade ( General (Up to 75V) )

## Series

CGA3(1608) [EIA 0603]



## Dimensions

L	1.60mm +0.30/-0.10mm
W	0.80mm +0.30/-0.10mm
T	0.80mm +0.30/-0.10mm
B	0.20mm Min.
G	0.30mm Min.

## Temperature Characteristic

X7T (-55 to +125 degC +22/-33%)

## Rated Voltage

0G (4Vdc)

## Capacitance

10 $\mu$ F

## Capacitance Tolerance

M (+/-20%)

## Dissipation Factor

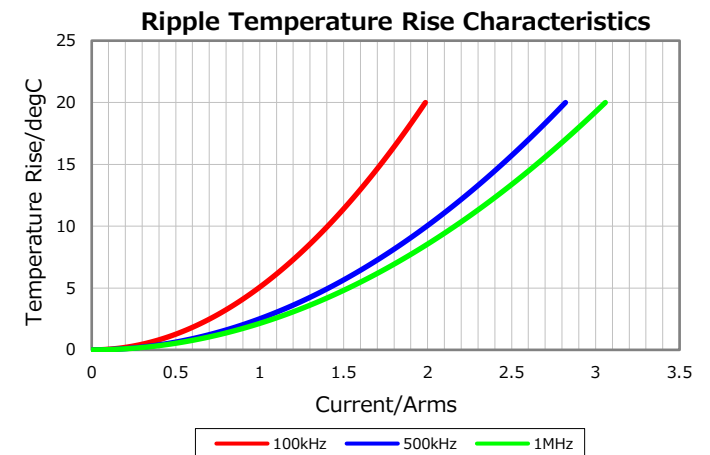
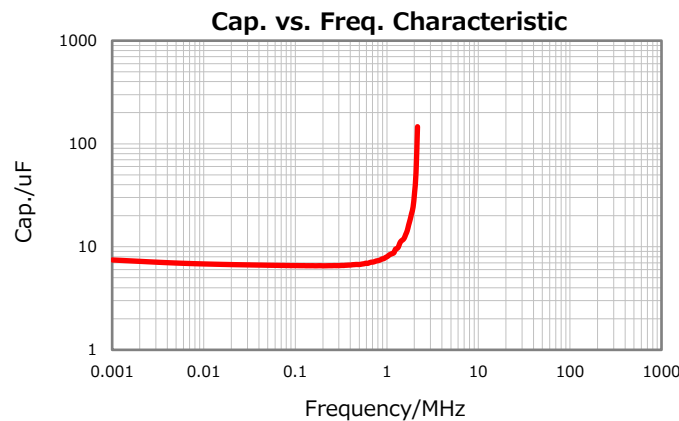
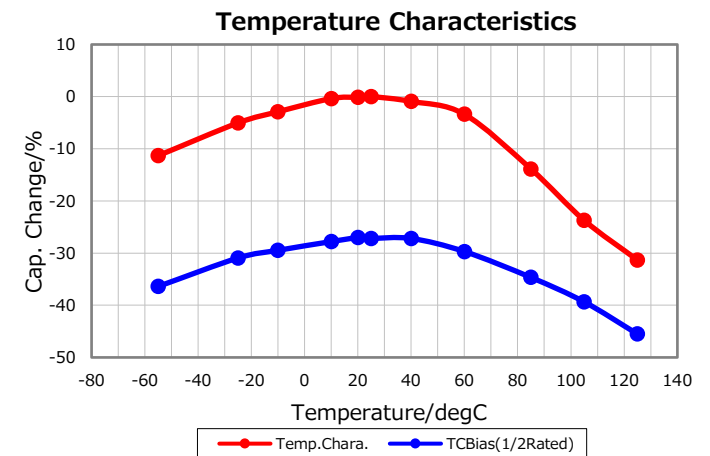
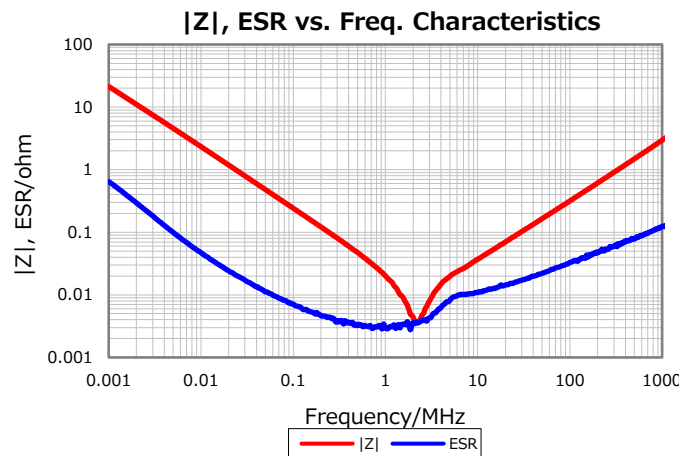
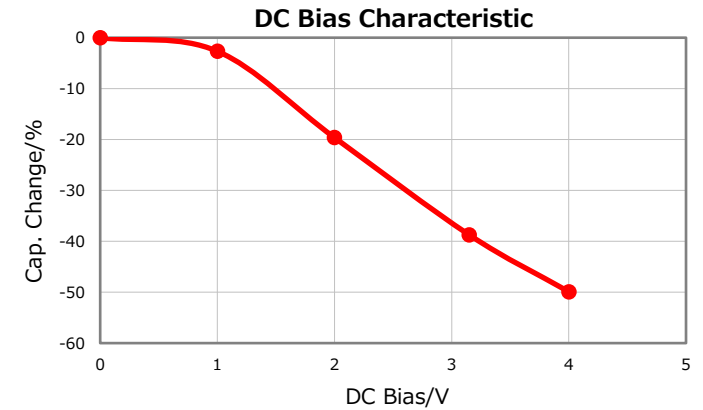
10% Max.

## Insulation Resistance

10Mohm Min.

## AEC-Q200

Yes



Characterization Sheet ( Multilayer Ceramic Chip Capacitors )



All specifications are subject to change without notice.

June 6, 2019