

# CGA3E2NP02A222J080AA

TDK Item Description : CGA3E2NP02A222JT\*\*\*



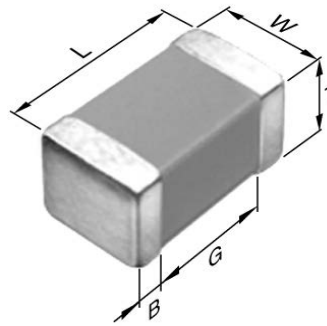
Equivalent C1608NP02A222J for Automotive

## Application & Main Feature

Automotive Grade ( High Temperature Application )

## Series

CGA3(1608) [EIA 0603]



## Dimensions

L	1.60mm ±0.10mm
W	0.80mm ±0.10mm
T	0.80mm ±0.10mm
B	0.20mm Min.
G	0.30mm Min.

## Temperature Characteristic

NP0 (-55 to 150 degC 0+/-30ppm/degC)

## Rated Voltage

2A(100Vdc)

## Capacitance

2.2nF

## Capacitance Tolerance

J (±5%)

## Q Factor

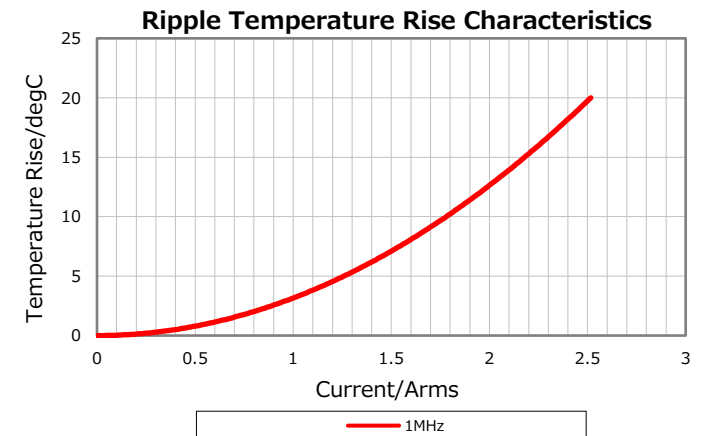
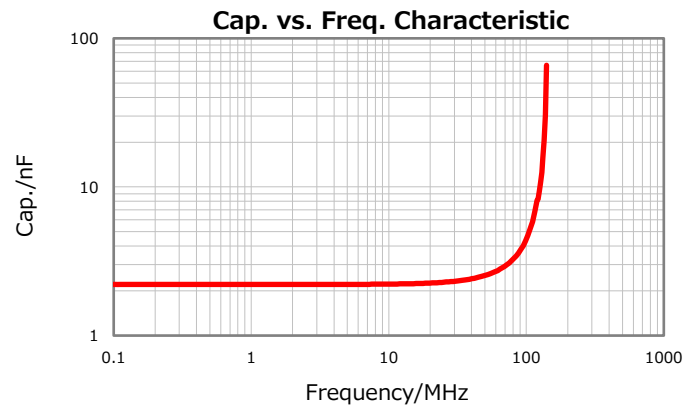
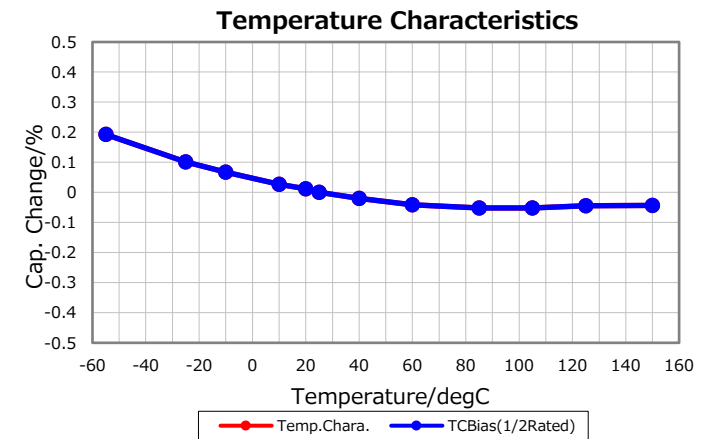
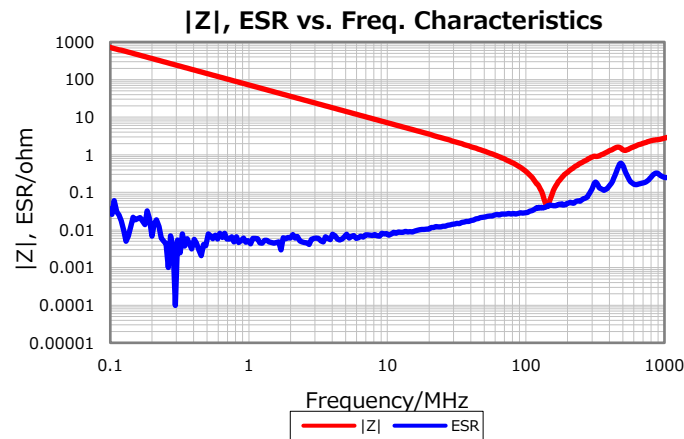
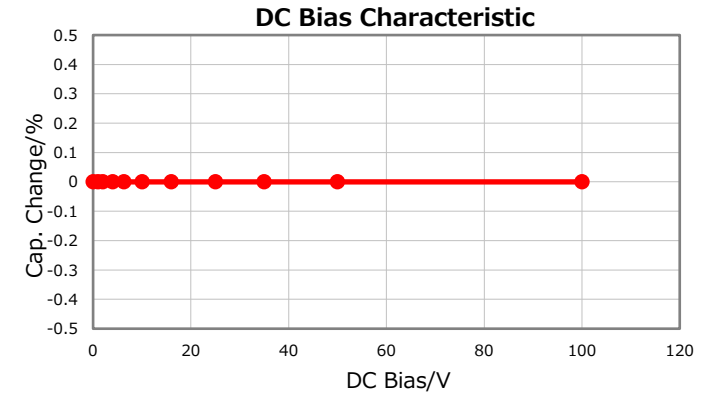
1000 Min.

## Insulation Resistance

10Gohm Min

## AEC-Q200

Yes



Characterization Sheet ( Multilayer Ceramic Chip Capacitors )



All specifications are subject to change without notice.

July 2, 2019