

# CGA3E2X5R1H472K080AA

TDK item description : CGA3E2X5R1H472KT\*\*\*



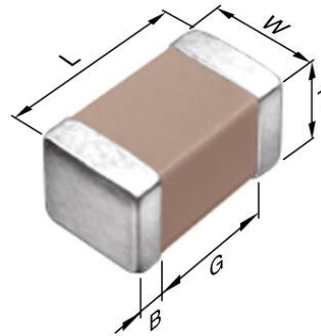
Equivalent C1608X5R1H472K for Automotive

## Application & Main Feature

Automotive grade (General type)

## Series

CGA3(1608) [EIA 0603]



## Dimensions

L 1.60±0.10 mm  
 W 0.80±0.10 mm  
 T 0.80±0.10 mm  
 B 0.20 mm min.  
 G 0.30 mm min.

## Temperature Characteristic

X5R (-55 to +85 degC, ±15%)

## Rated Voltage

1H (50Vdc)

## Capacitance

4.7nF

## Capacitance Tolerance

K (±10%)

## DF

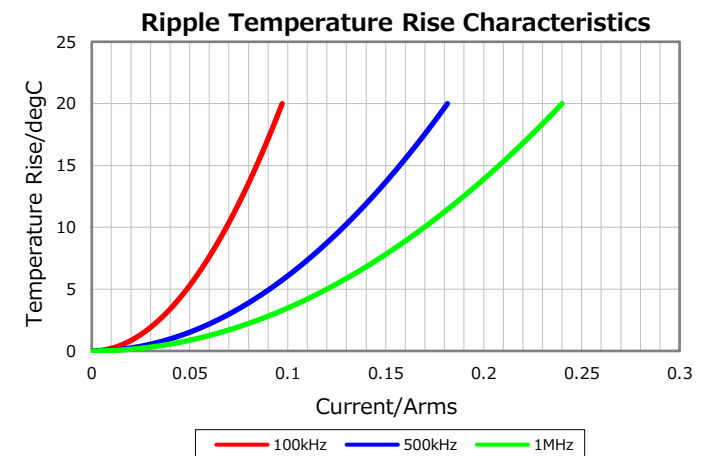
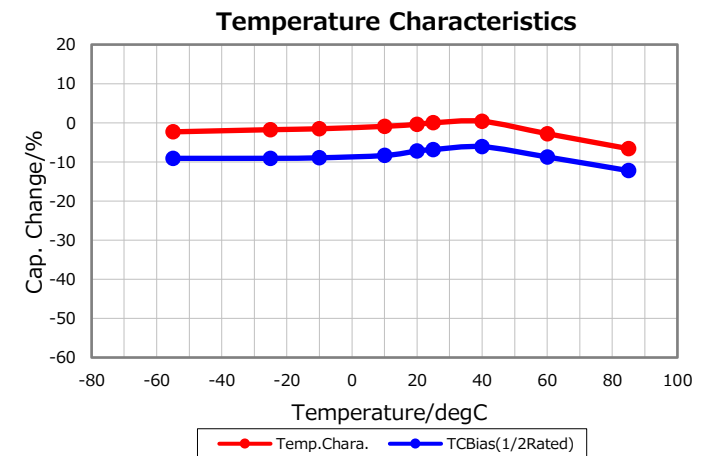
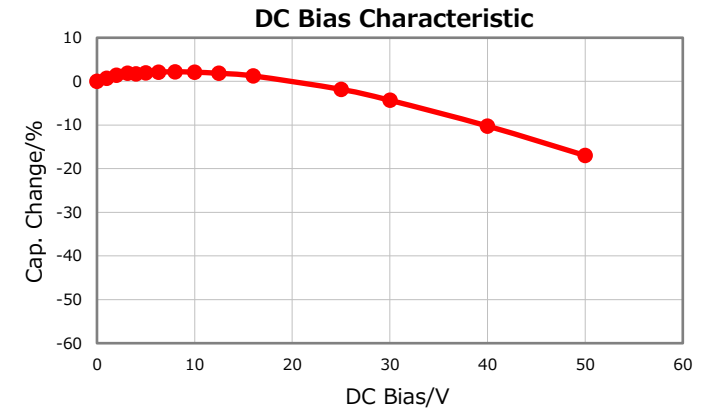
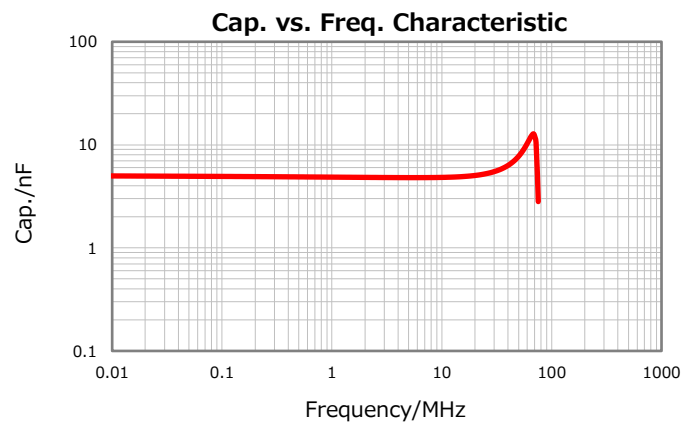
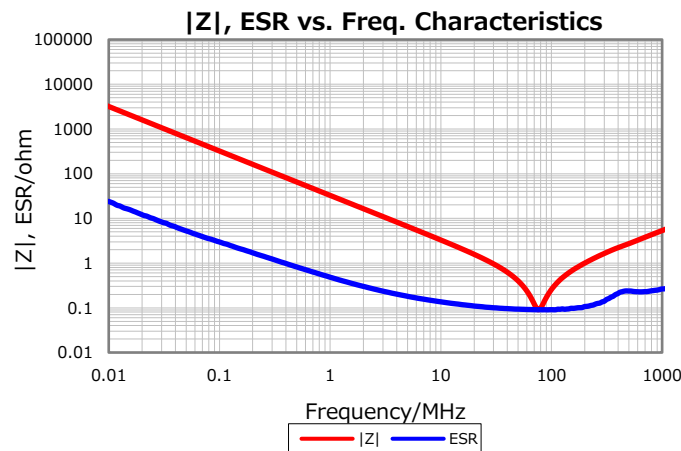
3 % max.

## Insulation Resistance

10000 Mohm min.

## AEC-Q200

Yes



Characterization Sheet (Multilayer Ceramic Chip Capacitors)



All specifications are subject to change without notice.

March 24, 2020