

CGA3E2X8R2A472K080AE

TDK Item Description : CGA3E2X8R2A472KT***S



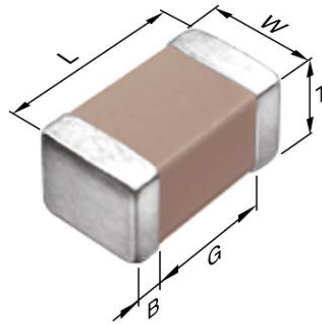
Equivalent C1608X8R2A472K for Automotive

Application & Main Feature

Automotive Grade (Soft Termination)

Series

CGA3(1608) [EIA CC0603]



Dimensions

L	1.60mm +0.2,-0.1mm
W	0.80mm +0.15,-0.1mm
T	0.80mm +0.15,-0.1mm
B	0.20mm Min.
G	0.30mm Min.

Temperature Characteristic

X8R (-55 to 150 degC +/-15%)

Rated Voltage

2A (100Vdc)

Capacitance

4.7nF

Capacitance Tolerance

K (+/-10%)

Dissipation Factor

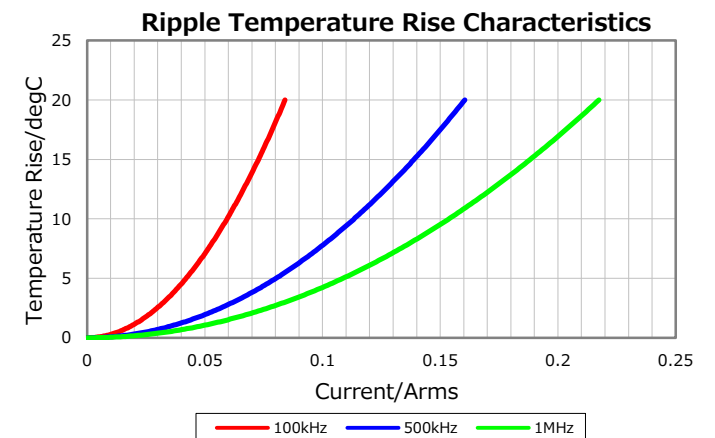
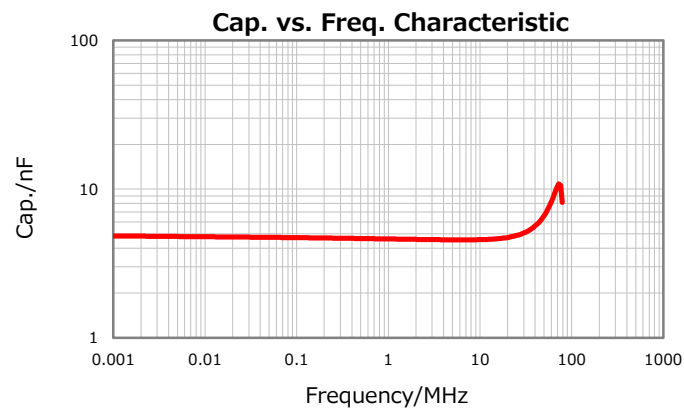
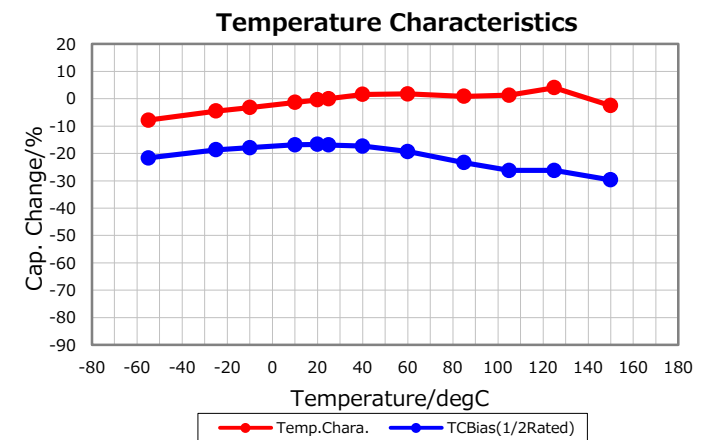
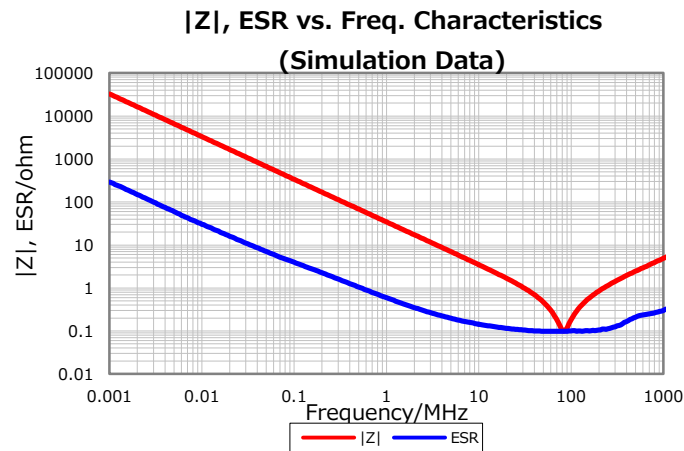
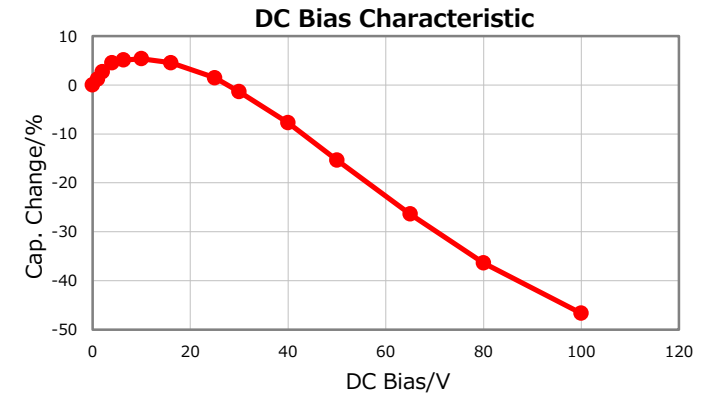
3% Max.

Insulation Resistance

10Gohm Min

AEC-Q200

Yes



Characterization Sheet (Multilayer Ceramic Chip Capacitors)



All specifications are subject to change without notice.

March 17, 2017