

CGA3E3NP02E821J080AA

TDK Item Description : CGA3E3NP02E821JT***



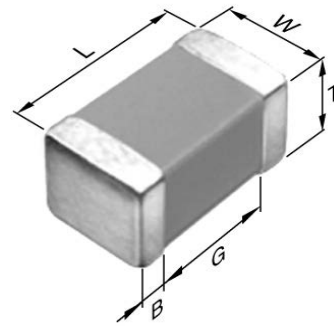
Equivalent C1608NP02E821J for Automotive

Application & Main Feature

Automotive Grade (Mid Volatage (100 to 630V))

Series

CGA3(1608) [EIA 0603]



Dimensions

L	1.60mm +/-0.1mm
W	0.80mm +/-0.1mm
T	0.80mm +/-0.1mm
B	0.20mm Min.
G	0.30mm Min.

Temperature Characteristic

NP0 (-55 to 150 degC 0+/-30ppm/degC)

Rated Voltage

2E (250Vdc)

Capacitance

820pF

Capacitance Tolerance

J (+/-5%)

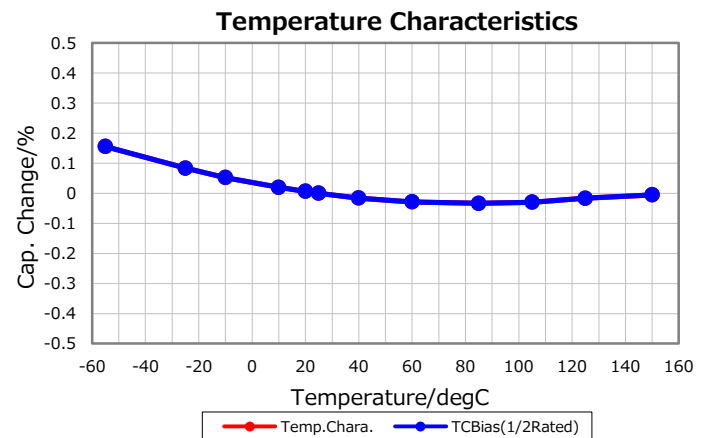
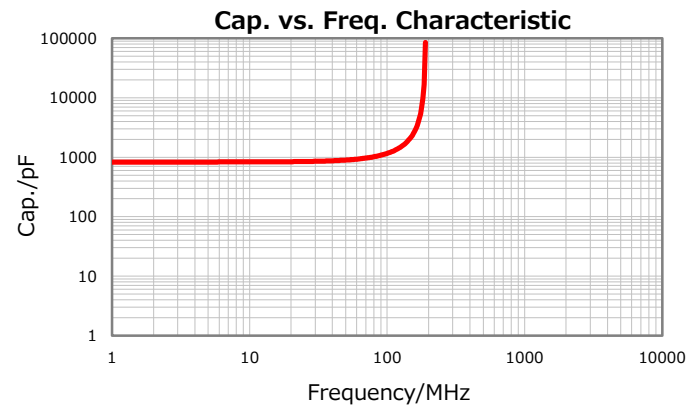
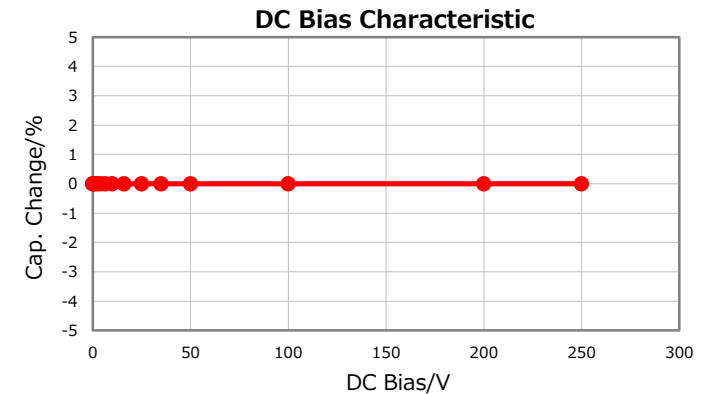
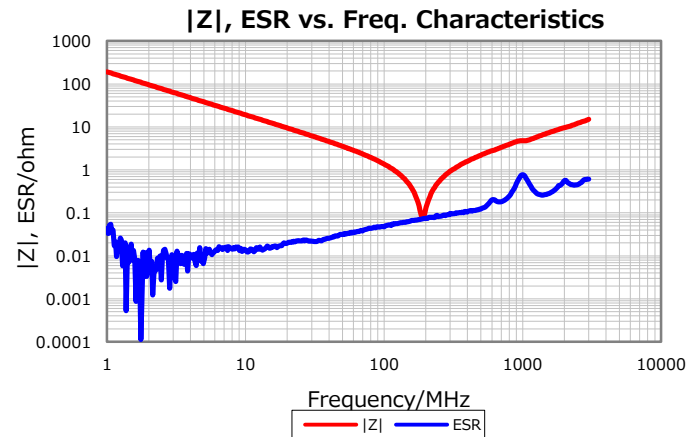
Q Factor

Insulation Resistance

10Gohm Min

AEC-Q200

Yes



Characterization Sheet (Multilayer Ceramic Chip Capacitors)



All specifications are subject to change without notice.

July 6, 2016