

# CGA3E3X7R1H474K080AE

TDK item description : CGA3E3X7R1H474KT\*\*\*S



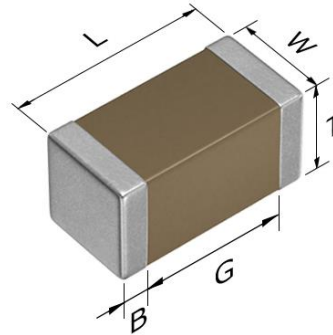
Equivalent C1608X7R1H474K for Automotive

## Application & Main Feature

Automotive grade (Soft termination)

## Series

CGA3(1608) [EIA 0603]



## Dimensions

L 1.60+0.20,-0.10 mm  
 W 0.80+0.15,-0.10 mm  
 T 0.80+0.15,-0.10 mm  
 B 0.20 mm min.  
 G 0.30 mm min.

## Temperature Characteristic

X7R (-55 to +125 degC, ±15%)

## Rated Voltage

1H (50Vdc)

## Capacitance

470nF

## Capacitance Tolerance

K (±10%)

## DF

5 % max.

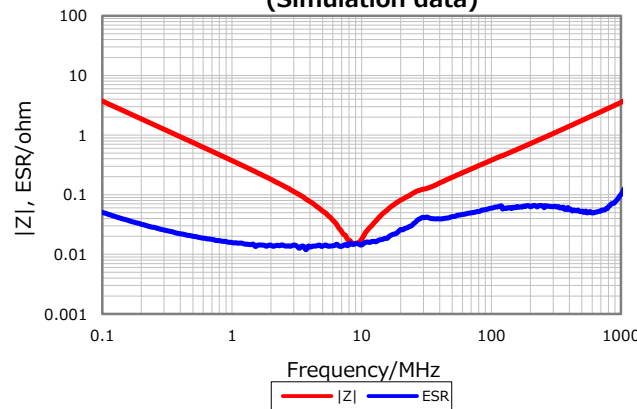
## Insulation Resistance

1063 Mohm min.

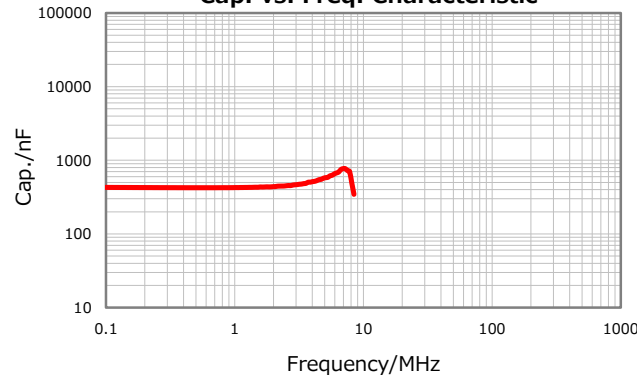
## AEC-Q200

Yes

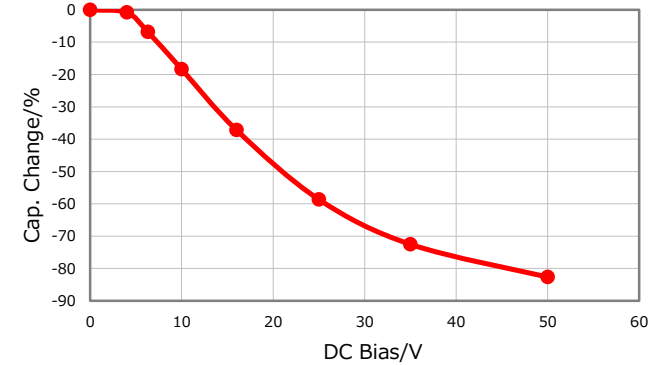
**|Z|, ESR vs. Freq. Characteristics**  
(Simulation data)



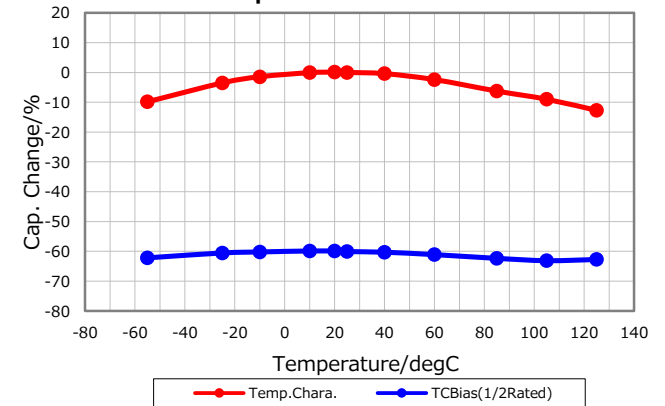
**Cap. vs. Freq. Characteristic**



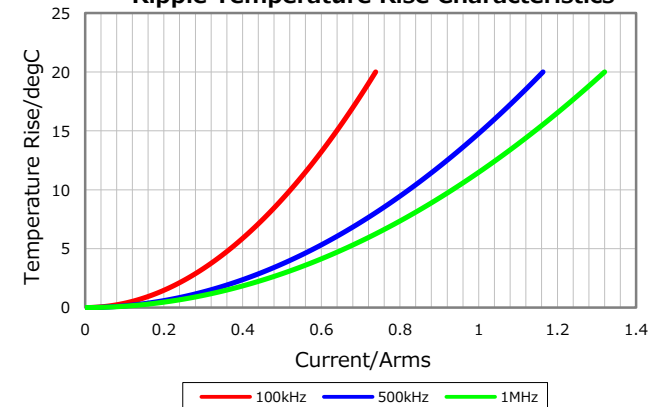
**DC Bias Characteristic**



**Temperature Characteristics**



**Ripple Temperature Rise Characteristics**



Characterization Sheet ( Multilayer Ceramic Chip Capacitors)



All specifications are subject to change without notice.

January 11, 2021