

# CGA3E3X7S2A473K080AE

TDK Item Description : CGA3E3X7S2A473KT\*\*\*S



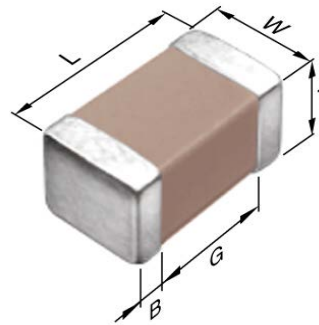
Equivalent C1608X7S2A473K for Automotive

## Application & Main Feature

Automotive Grade ( Soft Termination )

## Series

CGA3(1608) [EIA CC0603]



## Dimensions

L	1.60mm +0.2,-0.1mm
W	0.80mm +0.15,-0.1mm
T	0.80mm +0.15,-0.1mm
B	0.20mm Min.
G	0.30mm Min.

## Temperature Characteristic

X7S (-55 to 125 degC +/-22%)

## Rated Voltage

2A (100Vdc)

## Capacitance

47nF

## Capacitance Tolerance

K (+/-10%)

## Dissipation Factor

5% Max.

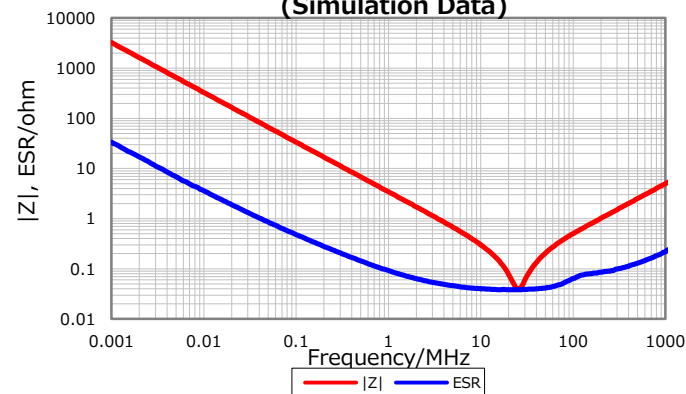
## Insulation Resistance

10Gohm Min

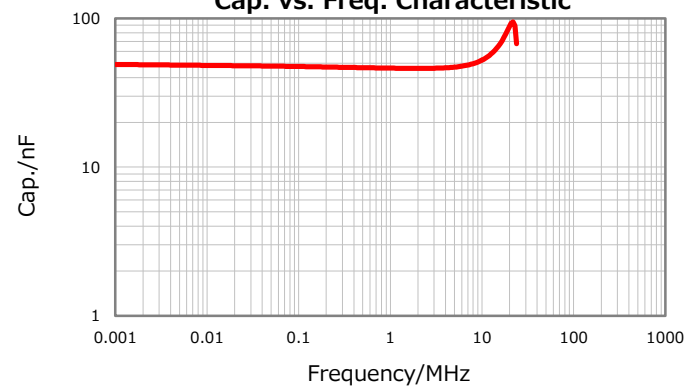
## AEC-Q200

Yes

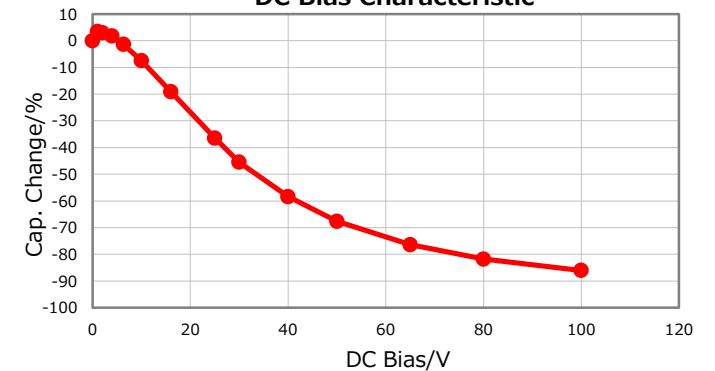
## |Z|, ESR vs. Freq. Characteristics (Simulation Data)



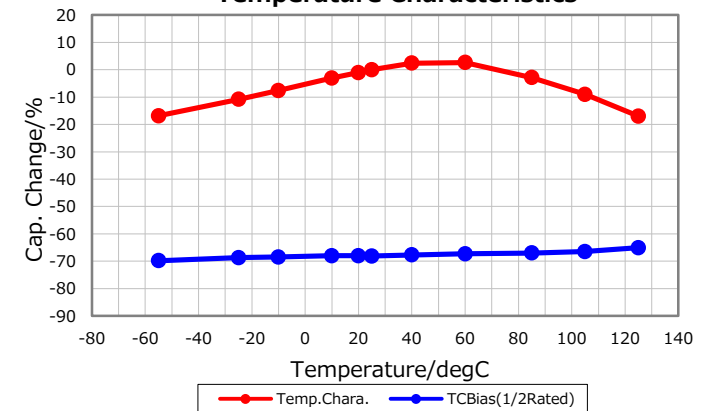
## Cap. vs. Freq. Characteristic



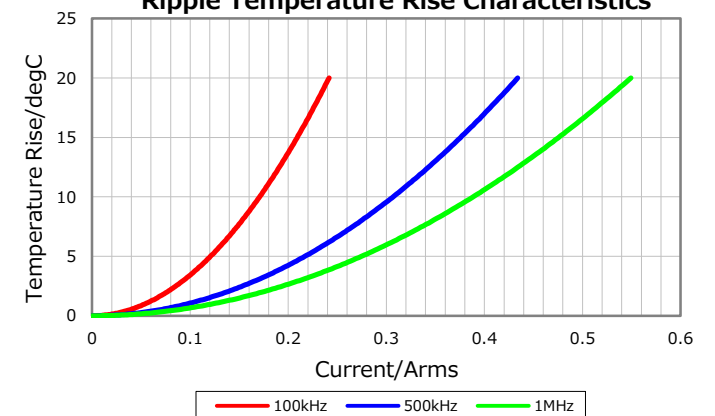
## DC Bias Characteristic



## Temperature Characteristics



## Ripple Temperature Rise Characteristics



Characterization Sheet ( Multilayer Ceramic Chip Capacitors )



All specifications are subject to change without notice.

March 17, 2017