

CGA4F2X7R2A222K085AE

TDK Item Description : CGA4F2X7R2A222KT***S



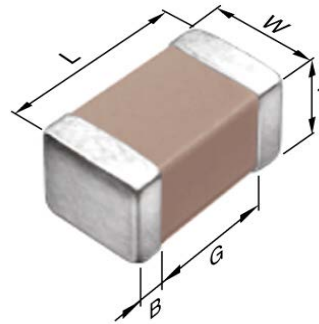
Equivalent C2012X7R2A222K for Automotive

Application & Main Feature

Automotive Grade (Soft Termination)

Series

CGA4(2012) [EIA CC0805]



Dimensions

| | |
|---|---------------------|
| L | 2.00mm +0.45,-0.2mm |
| W | 1.25mm +0.25,-0.2mm |
| T | 0.85mm +/-0.15mm |
| B | 0.20mm Min. |
| G | 0.50mm Min. |

Temperature Characteristic

X7R (-55 to 125 degC +/-15%)

Rated Voltage

2A (100Vdc)

Capacitance

2.2nF

Capacitance Tolerance

K (+/-10%)

Dissipation Factor

3% Max.

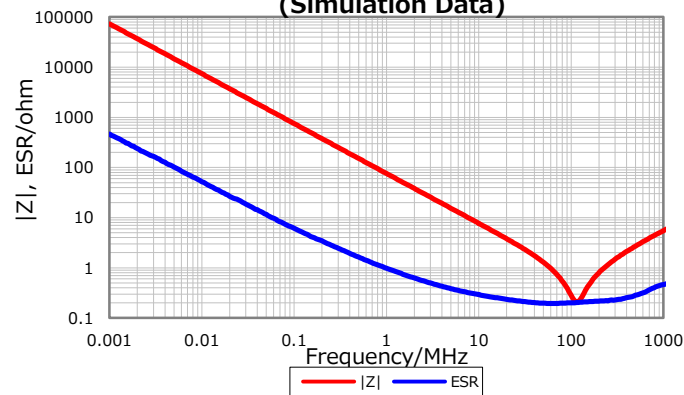
Insulation Resistance

10Gohm Min

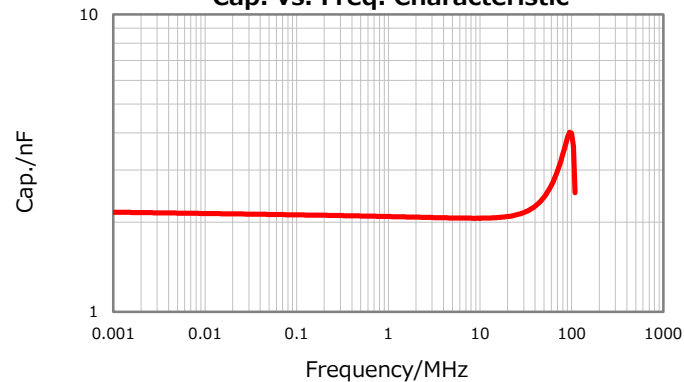
AEC-Q200

Yes

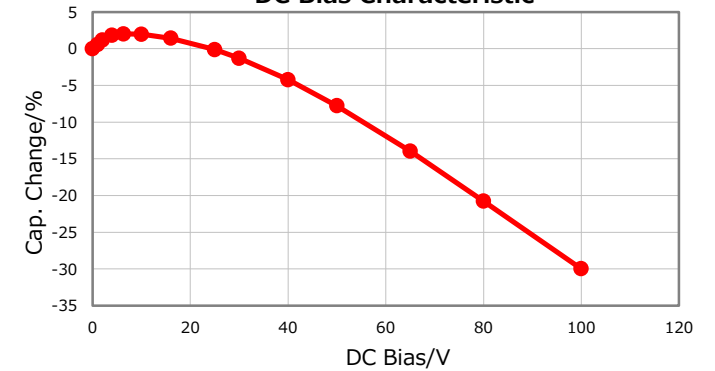
|Z|, ESR vs. Freq. Characteristics (Simulation Data)



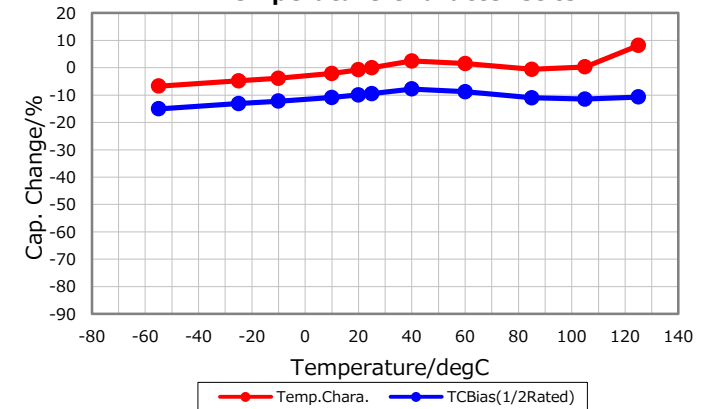
Cap. vs. Freq. Characteristic



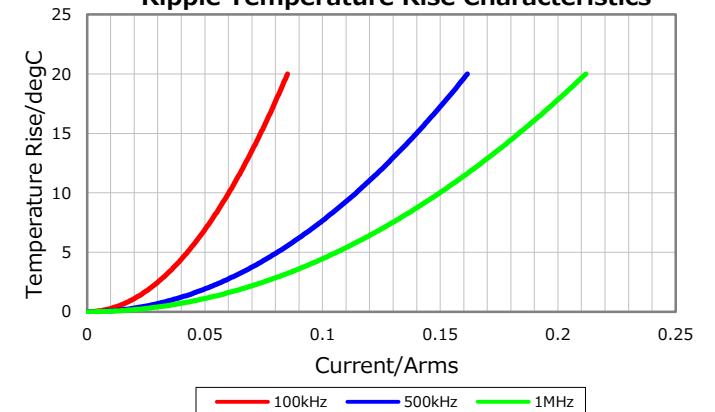
DC Bias Characteristic



Temperature Characteristics



Ripple Temperature Rise Characteristics



Characterization Sheet (Multilayer Ceramic Chip Capacitors)



All specifications are subject to change without notice.

March 17, 2017