

CGA4J1X7R1E475M125AE

TDK item description : CGA4J1X7R1E475MT***S



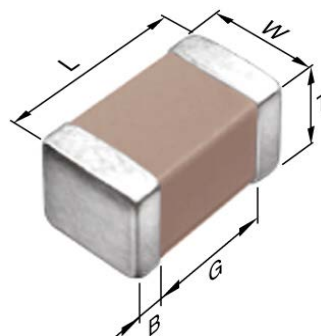
Equivalent C2012X7R1E475M for Automotive

Application & Main Feature

Automotive grade (Soft termination)

Series

CGA4(2012) [EIA 0805]



Dimensions

- L 2.00+0.45/-0.20 mm
- W 1.25+0.25/-0.20 mm
- T 1.25+0.25/-0.20 mm
- B 0.20 mm min.
- G 0.50 mm min.

Temperature Characteristic

X7R (-55 to +125 degC, ±15%)

Rated Voltage

1E (25Vdc)

Capacitance

4.7µF

Capacitance Tolerance

M (±20%)

Dissipation Factor

7.5 % max.

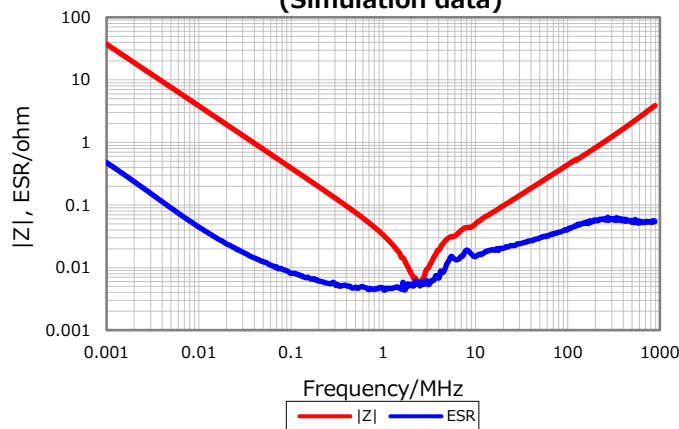
Insulation Resistance

106 Mohm min.

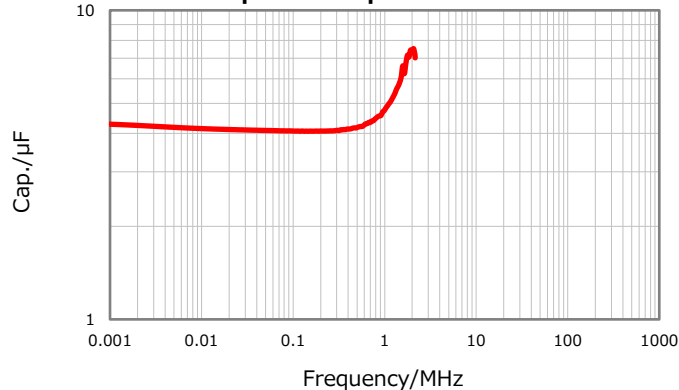
AEC-Q200

Yes

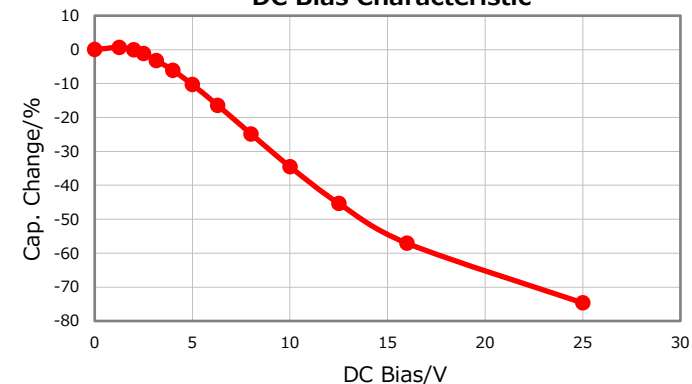
**|Z|, ESR vs. Freq. Characteristics
(Simulation data)**



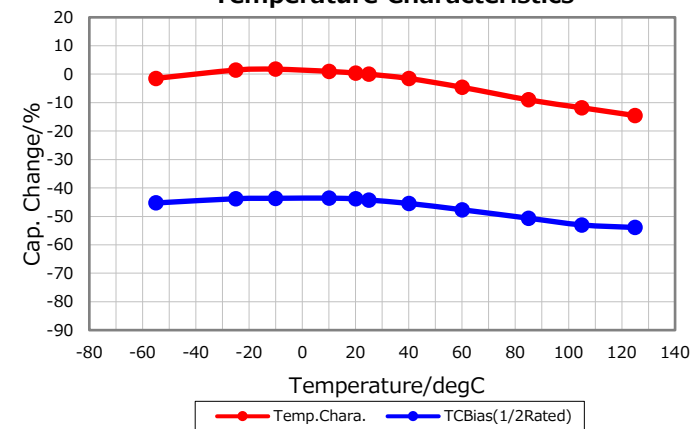
Cap. vs. Freq. Characteristic



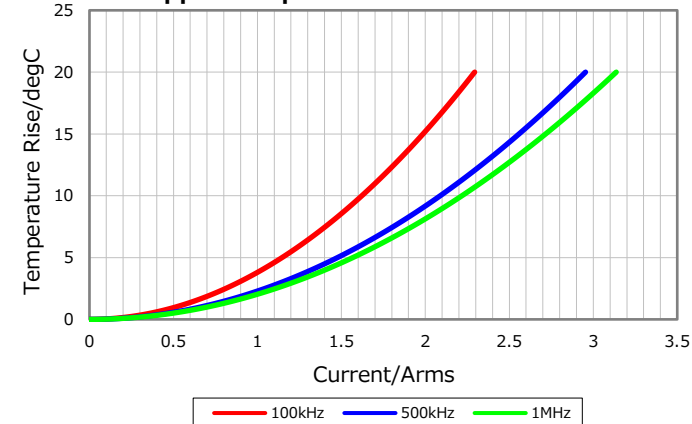
DC Bias Characteristic



Temperature Characteristics



Ripple Temperature Rise Characteristics



Characterization Sheet (Multilayer Ceramic Chip Capacitors)



All specifications are subject to change without notice.

February 10, 2020