

CGA4J1X8L1H684K125AC

TDK item description : CGA4J1X8L1H684KT****



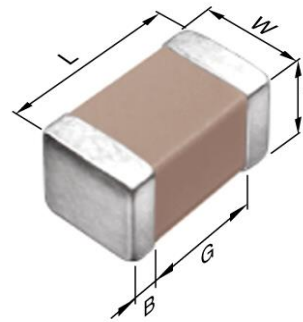
Equivalent C2012X8L1H684K for Automotive

Application & Main Feature

Automotive grade (General type)

Series

CGA4(2012) [EIA 0805]



Dimensions

L	2.00±0.20 mm
W	1.25±0.20 mm
T	1.25±0.20 mm
B	0.20 mm min.
G	0.50 mm min.

Temperature Characteristic

X8L (-55 to +150 degC, +15/-40%)

Rated Voltage

1H (50Vdc)

Capacitance

680nF

Capacitance Tolerance

K (±10%)

DF

5 % max.

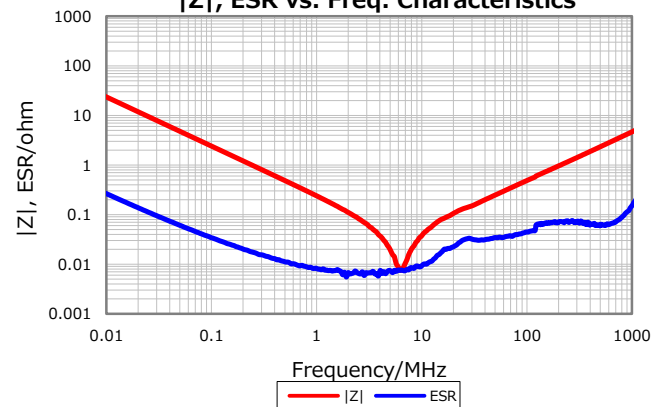
Insulation Resistance

735 Mohm min.

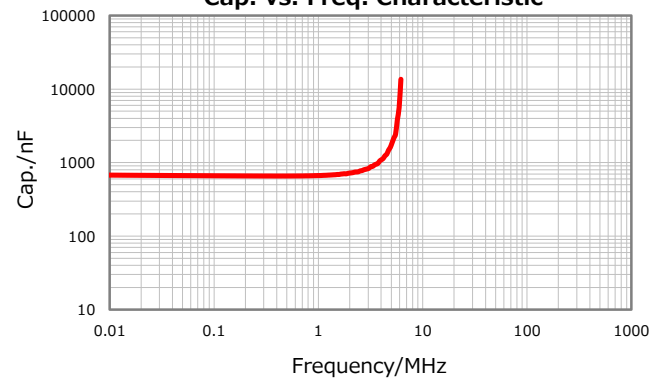
AEC-Q200

Yes

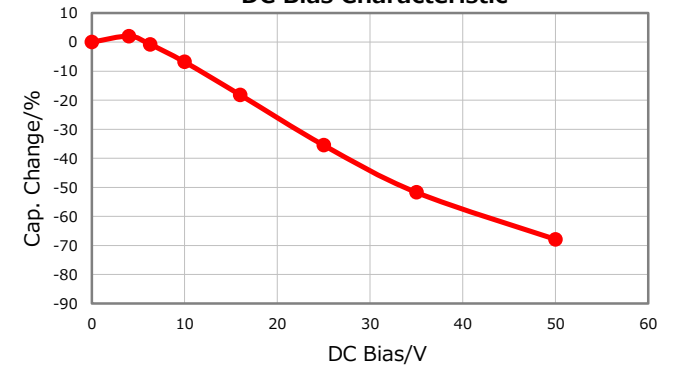
|Z|, ESR vs. Freq. Characteristics



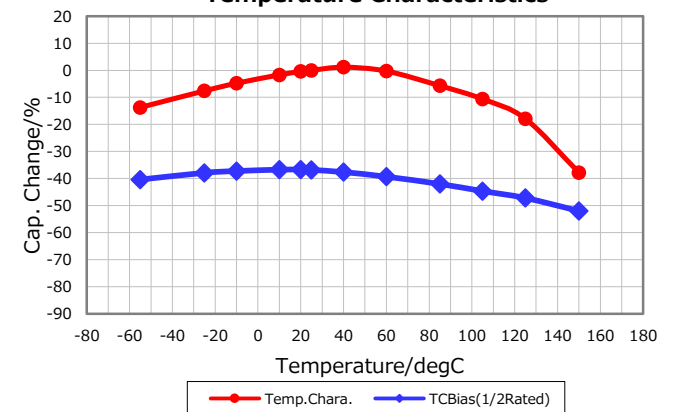
Cap. vs. Freq. Characteristic



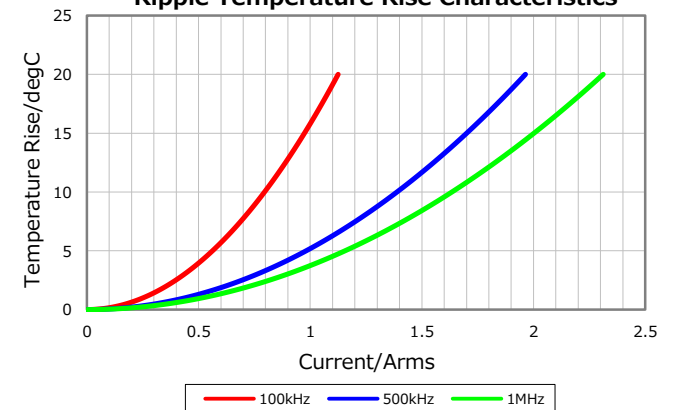
DC Bias Characteristic



Temperature Characteristics



Ripple Temperature Rise Characteristics



Characterization Sheet (Multilayer Ceramic Chip Capacitors)



All specifications are subject to change without notice.

June 28, 2020