

# CGA4J3X7R1C475K125AE

TDK item description : CGA4J3X7R1C475KT\*\*\*S



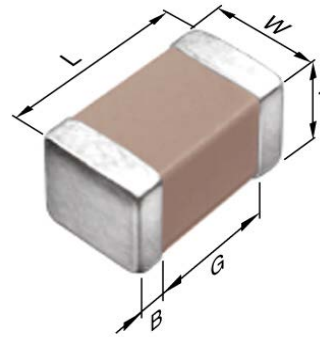
Equivalent C2012X7R1C475K for Automotive

## Application & Main Feature

Automotive grade (Soft termination)

## Series

CGA4(2012) [EIA 0805]



## Dimensions

L 2.00+0.45/-0.20 mm  
 W 1.25+0.25/-0.20 mm  
 T 1.25+0.25/-0.20 mm  
 B 0.20 mm min.  
 G 0.50 mm min.

## Temperature Characteristic

X7R (-55 to +125 degC, ±15%)

## Rated Voltage

1C (16Vdc)

## Capacitance

4.7µF

## Capacitance Tolerance

K (±10%)

## Dissipation Factor

7.5 % max.

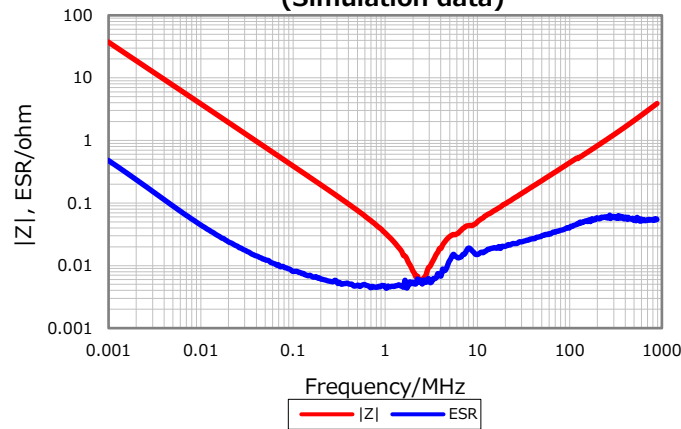
## Insulation Resistance

21 Mohm min.

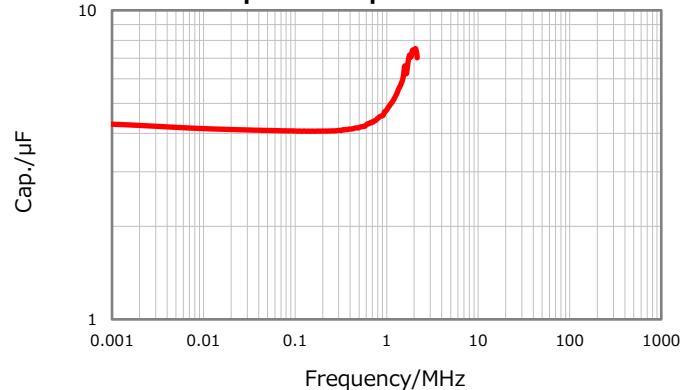
## AEC-Q200

Yes

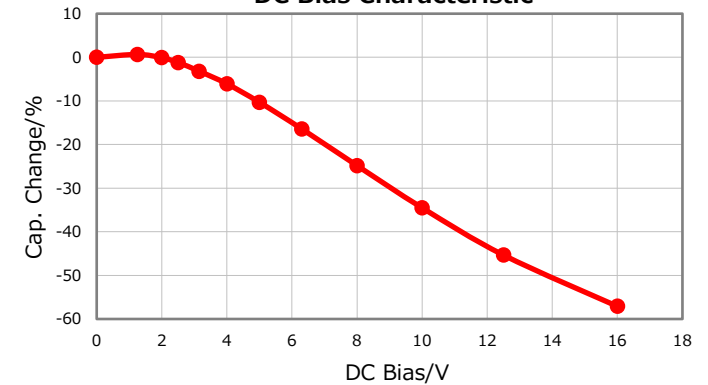
**|Z|, ESR vs. Freq. Characteristics (Simulation data)**



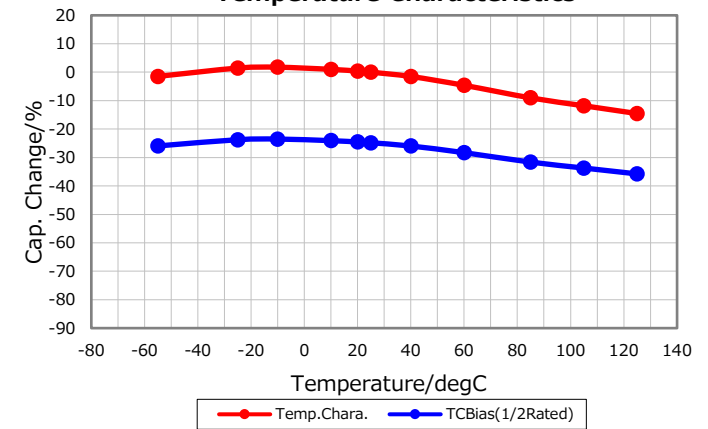
**Cap. vs. Freq. Characteristic**



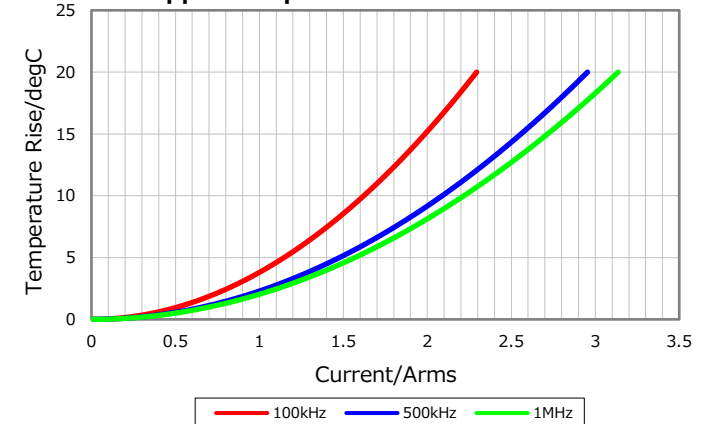
**DC Bias Characteristic**



**Temperature Characteristics**



**Ripple Temperature Rise Characteristics**



Characterization Sheet (Multilayer Ceramic Chip Capacitors)



All specifications are subject to change without notice.

February 10, 2020