

CGA4J3X7R1V684M125AB

TDK item description : CGA4J3X7R1V684MT****



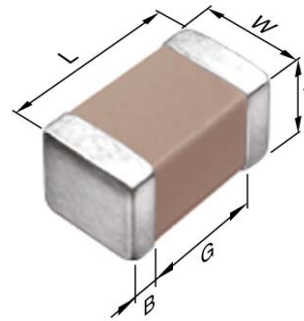
Equivalent C2012X7R1V684M for Automotive

Application & Main Feature

Automotive grade (General type)

Series

CGA4(2012) [EIA 0805]



Dimensions

L	2.00±0.20 mm
W	1.25±0.20 mm
T	1.25±0.20 mm
B	0.20 mm min.
G	0.50 mm min.

Temperature Characteristic

X7R (-55 to +125 degC, ±15%)

Rated Voltage

1V (35Vdc)

Capacitance

680nF

Capacitance Tolerance

M (±20%)

Dissipation Factor

5 % max.

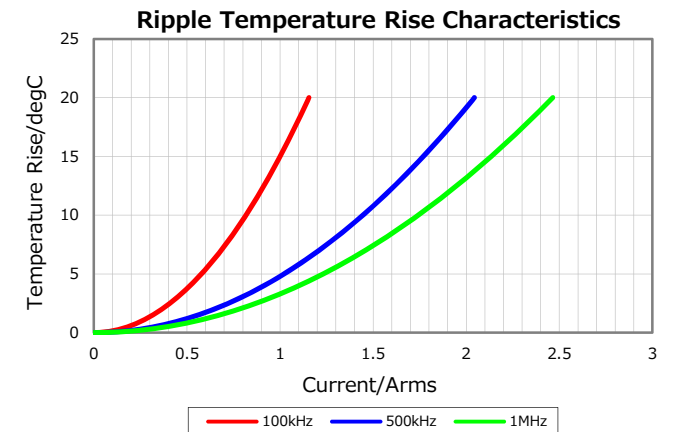
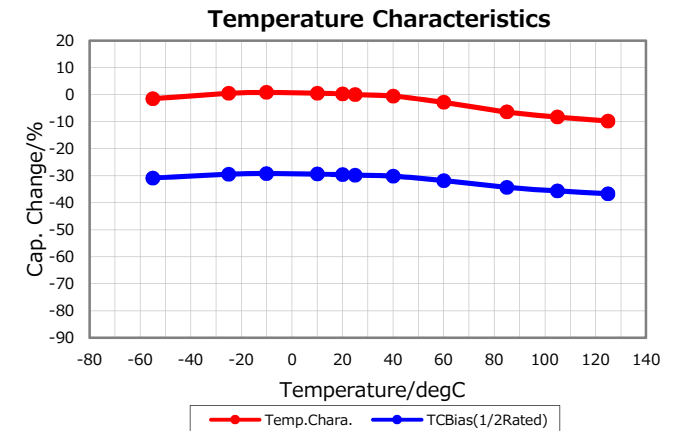
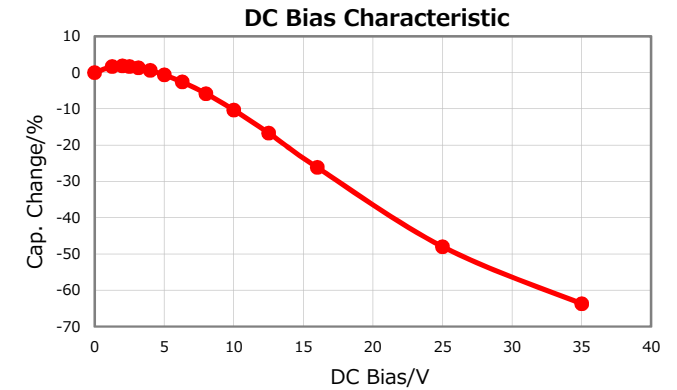
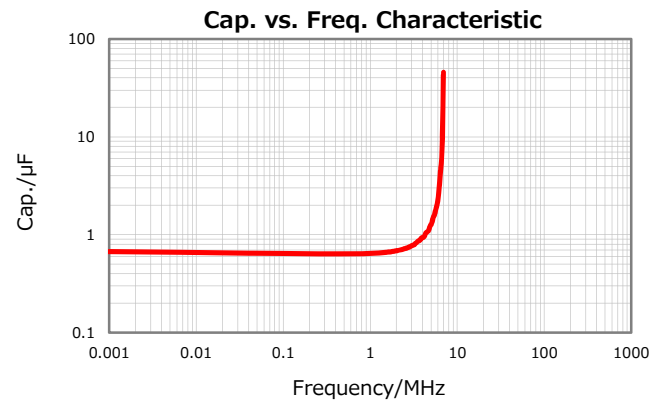
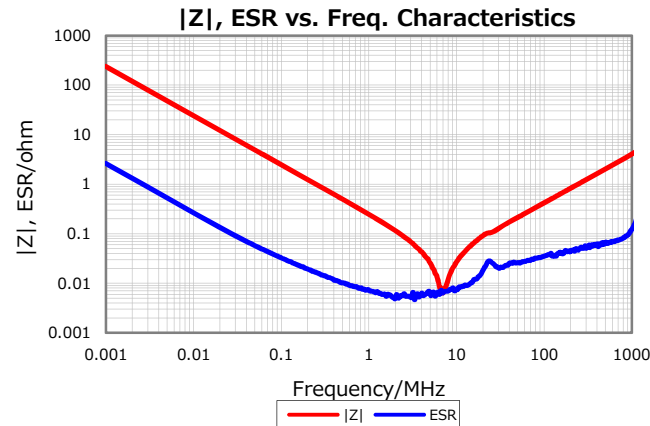
Insulation Resistance

735 Mohm min.

AEC-Q200

Yes

Characterization Sheet (Multilayer Ceramic Chip Capacitors)



All specifications are subject to change without notice.

January 12, 2020