

# CGA4J3X7S1A106M125AE

TDK item description : CGA4J3X7S1A106MT\*\*\*S



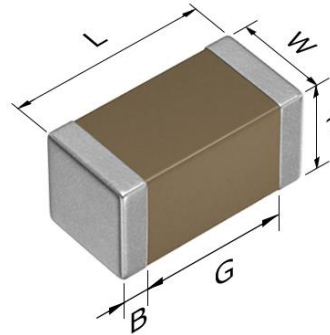
Equivalent C2012X7S1A106M for Automotive

## Application & Main Feature

Automotive grade (Soft termination)

## Series

CGA4(2012) [EIA 0805]



## Dimensions

L 2.00+0.45,-0.20 mm  
 W 1.25+0.25,-0.20 mm  
 T 1.25+0.25,-0.20 mm  
 B 0.20 mm min.  
 G 0.50 mm min.

## Temperature Characteristic

X7S (-55 to +125 degC, ±22%)

## Rated Voltage

1A (10Vdc)

## Capacitance

10µF

## Capacitance Tolerance

M (±20%)

## DF

7.5 % max.

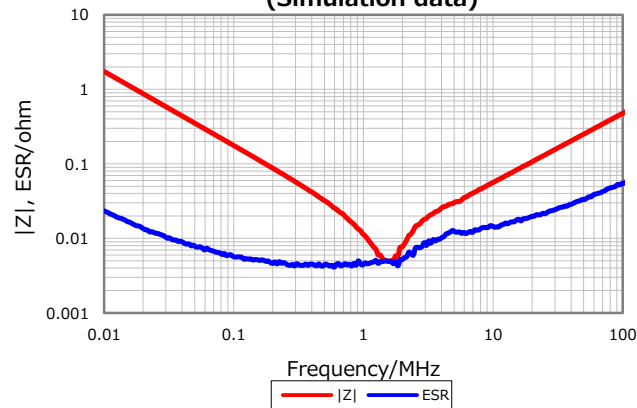
## Insulation Resistance

10 Mohm min.

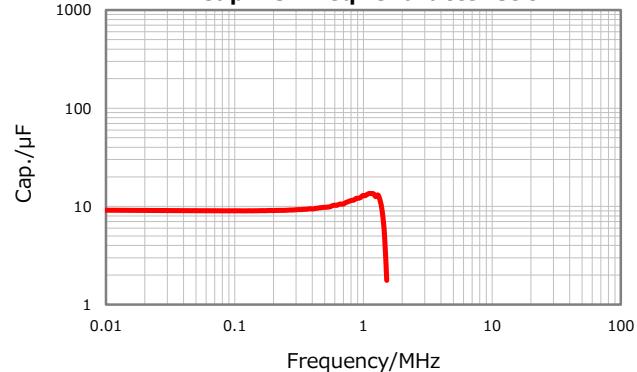
## AEC-Q200

Yes

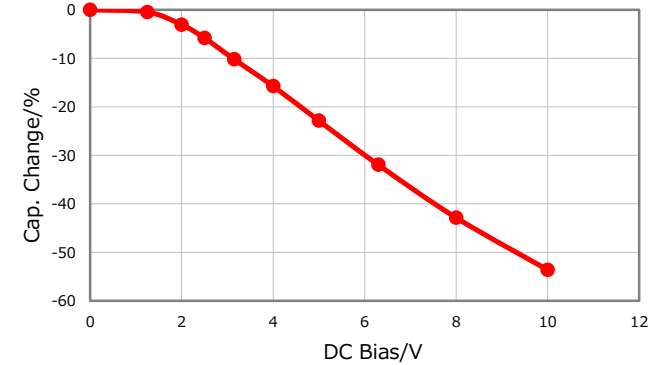
**|Z|, ESR vs. Freq. Characteristics (Simulation data)**



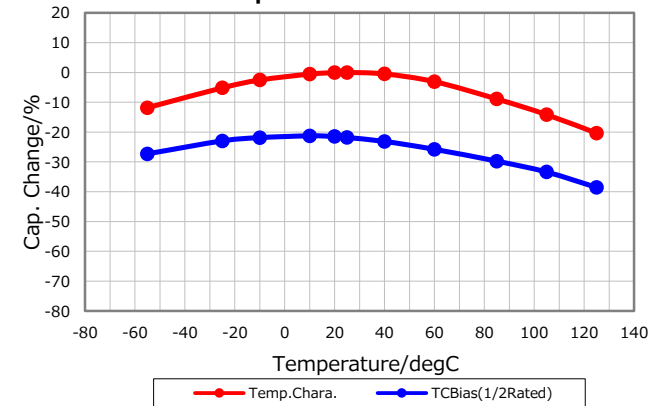
**Cap. vs. Freq. Characteristic**



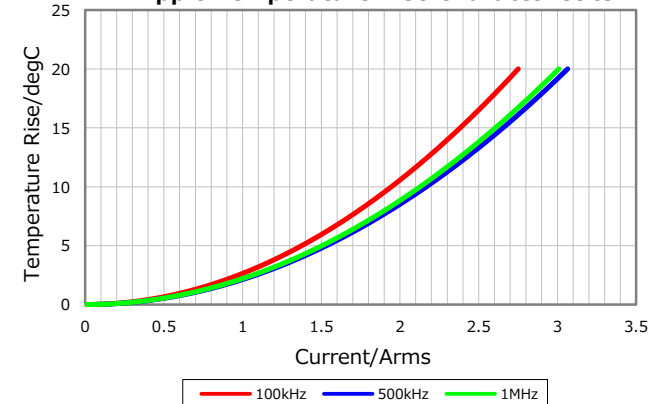
**DC Bias Characteristic**



**Temperature Characteristics**



**Ripple Temperature Rise Characteristics**



Characterization Sheet ( Multilayer Ceramic Chip Capacitors)



⚠ All specifications are subject to change without notice.

January 16, 2021