

CGA5L1X5R1C156M160AC

TDK Item Description : CGA5L1X5R1C156MT****



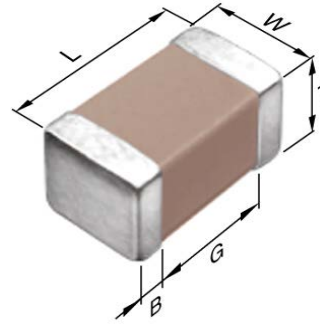
Equivalent C3216X5R1C156M for Automotive

Application & Main Feature

Automotive Grade(Up to 50V)

Series

CGA5(3216) [EIA 1206]



Dimensions

L	3.20mm +0.3,-0.1mm
W	1.60mm +0.3,-0.1mm
T	1.60mm +0.3,-0.1mm
B	0.20mm Min.
G	1.00mm Min.

Temperature Characteristic

X5R (-55 to 85 degC +/-15%)

Rated Voltage

1C(16Vdc)

Capacitance

15uF

Capacitance Tolerance

M (±20%)

Dissipation Factor

10% Max.

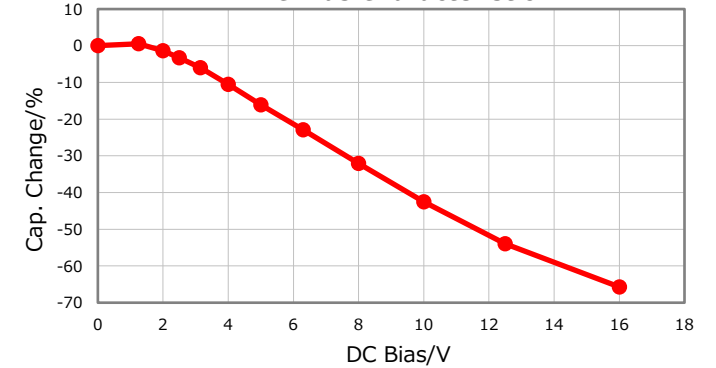
Insulation Resistance

6Mohm Min.

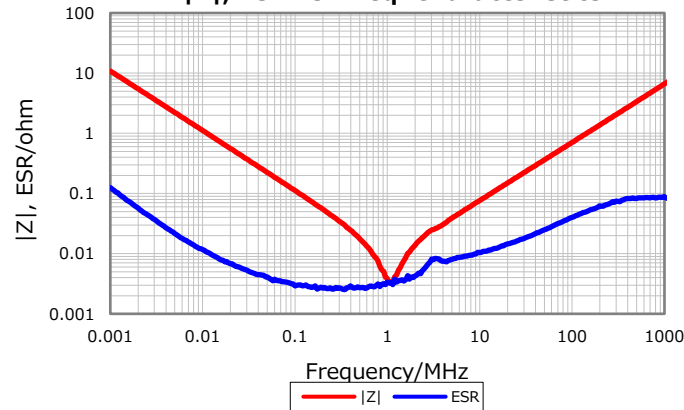
AEC-Q200

Yes

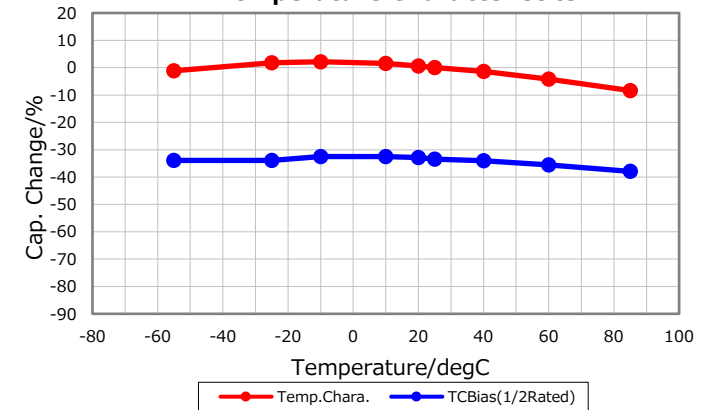
DC Bias Characteristic



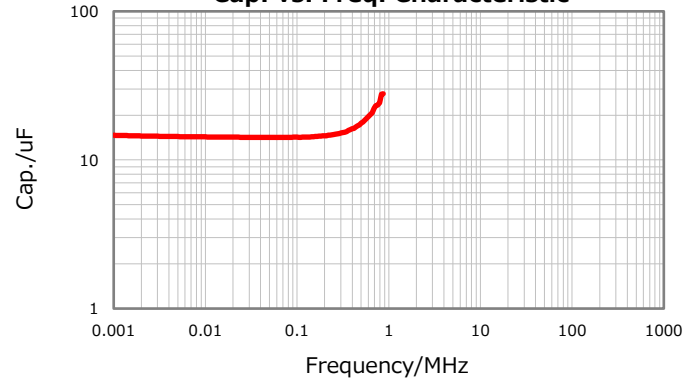
|Z|, ESR vs. Freq. Characteristics



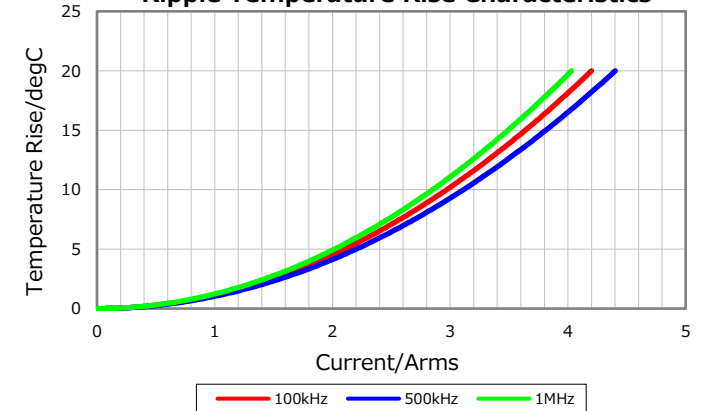
Temperature Characteristics



Cap. vs. Freq. Characteristic



Ripple Temperature Rise Characteristics



Characterization Sheet (Multilayer Ceramic Chip Capacitors)



All specifications are subject to change without notice.

October 25, 2018