

# CGA5L1X7R1E685K160AC

TDK item description : CGA5L1X7R1E685KT\*\*\*\*



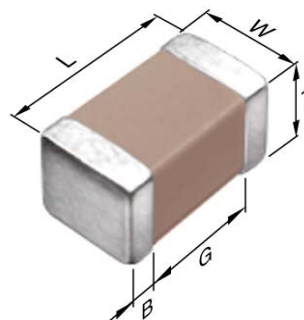
Equivalent C3216X7R1E685K for Automotive

## Application & Main Feature

Automotive grade (General type)

## Series

CGA5(3216) [EIA 1206]



## Dimensions

- L 3.20+0.30/-0.10 mm
- W 1.60+0.30/-0.10 mm
- T 1.60+0.30/-0.10 mm
- B 0.20 mm min.
- G 1.00 mm min.

## Temperature Characteristic

X7R (-55 to +125 degC, ±15%)

## Rated Voltage

1E (25Vdc)

## Capacitance

6.8µF

## Capacitance Tolerance

K (±10%)

## Dissipation Factor

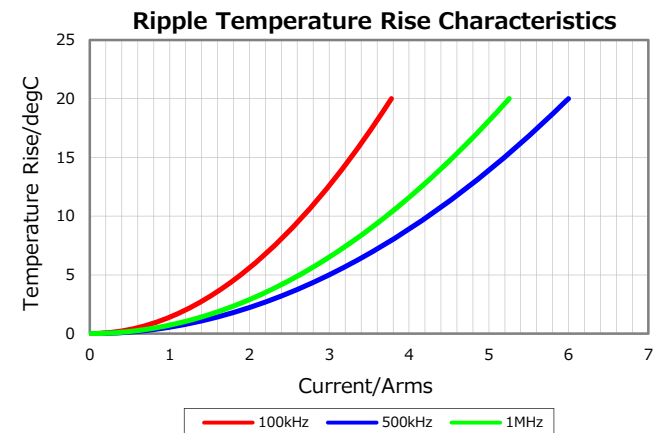
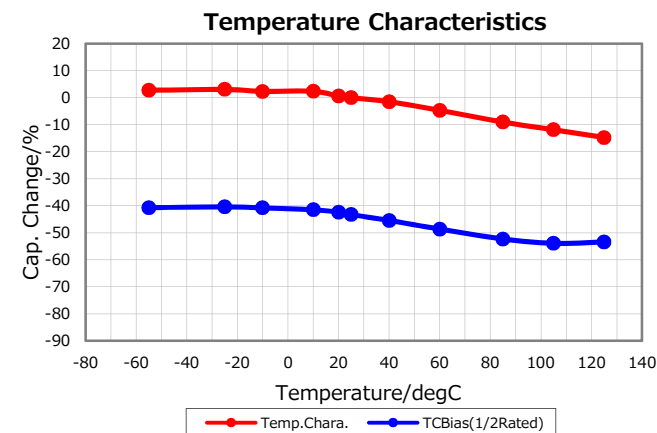
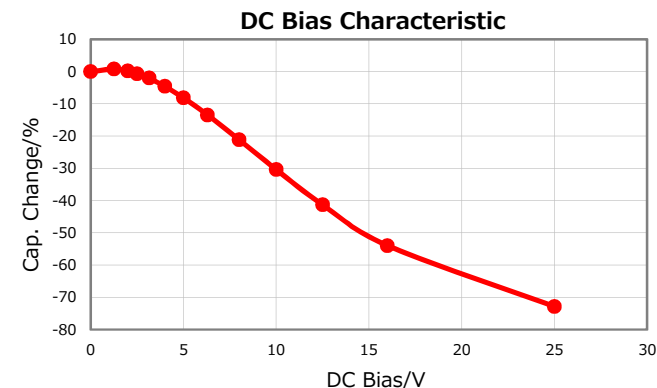
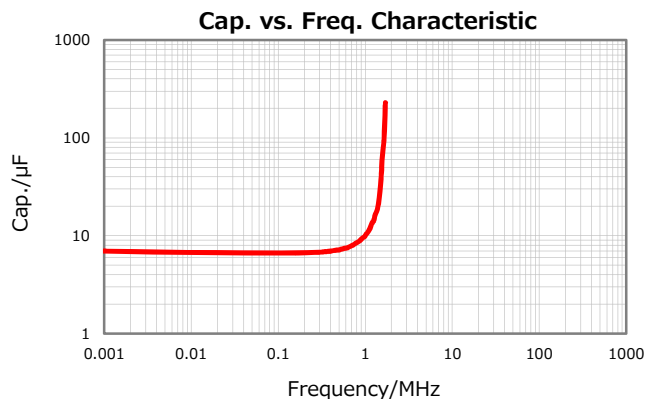
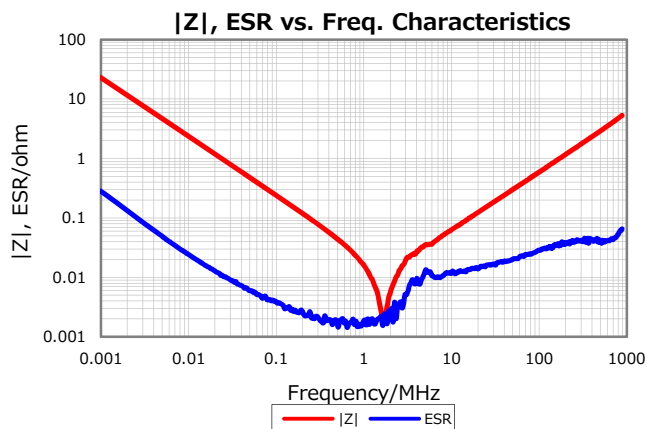
7.5 % max.

## Insulation Resistance

73 Mohm min.

## AEC-Q200

Yes



Characterization Sheet (Multilayer Ceramic Chip Capacitors)



All specifications are subject to change without notice.

January 20, 2020