

# CGA5L1X7R1E685M160AC

TDK item description : CGA5L1X7R1E685MT\*\*\*\*



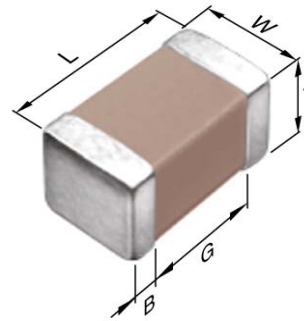
Equivalent C3216X7R1E685M for Automotive

## Application & Main Feature

Automotive grade (General type)

## Series

CGA5(3216) [EIA 1206]



## Dimensions

L	3.20+0.30/-0.10 mm
W	1.60+0.30/-0.10 mm
T	1.60+0.30/-0.10 mm
B	0.20 mm min.
G	1.00 mm min.

## Temperature Characteristic

X7R (-55 to +125 degC, ±15%)

## Rated Voltage

1E (25Vdc)

## Capacitance

6.8µF

## Capacitance Tolerance

M (±20%)

## Dissipation Factor

7.5 % max.

## Insulation Resistance

73 Mohm min.

## AEC-Q200

Yes

