

CGA5L1X7R1V335K160AC

TDK item description : CGA5L1X7R1V335KT****



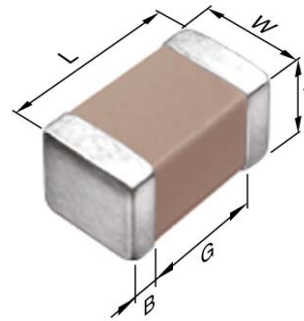
Equivalent C3216X7R1V335K for Automotive

Application & Main Feature

Automotive grade (General type)

Series

CGA5(3216) [EIA 1206]



Dimensions

L	3.20+0.30/-0.10 mm
W	1.60+0.30/-0.10 mm
T	1.60+0.30/-0.10 mm
B	0.20 mm min.
G	1.00 mm min.

Temperature Characteristic

X7R (-55 to +125 degC, ±15%)

Rated Voltage

1V (35Vdc)

Capacitance

3.3µF

Capacitance Tolerance

K (±10%)

Dissipation Factor

5 % max.

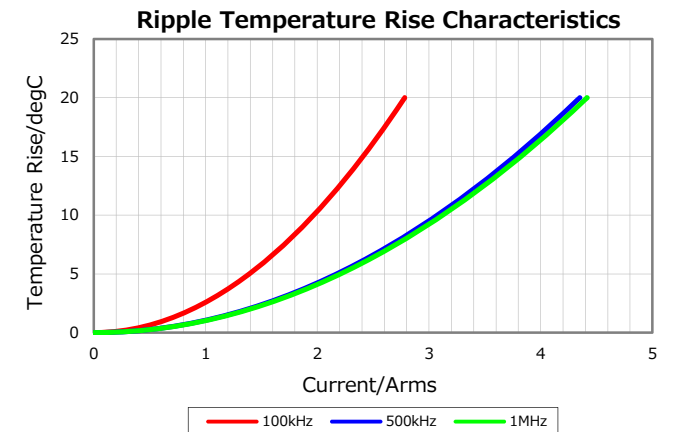
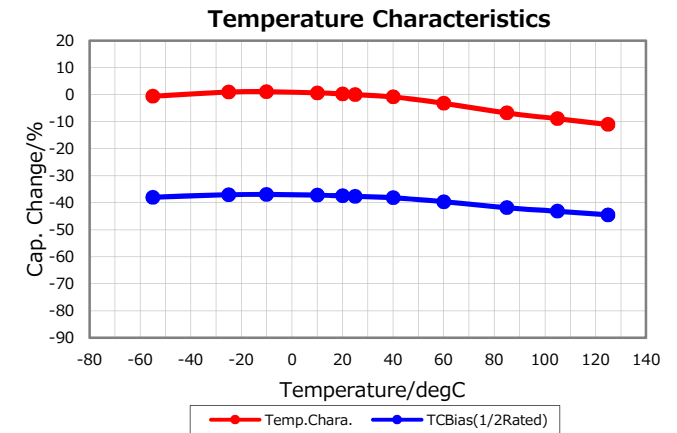
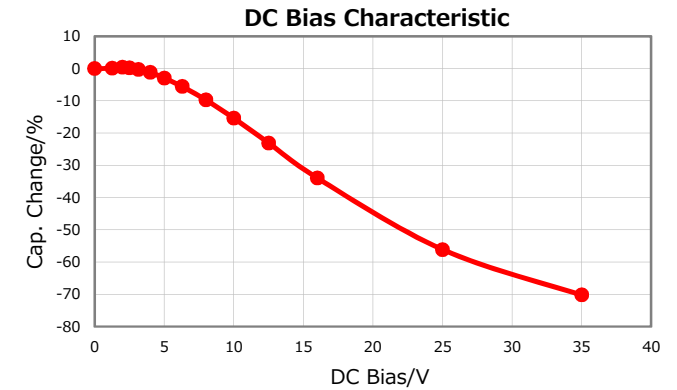
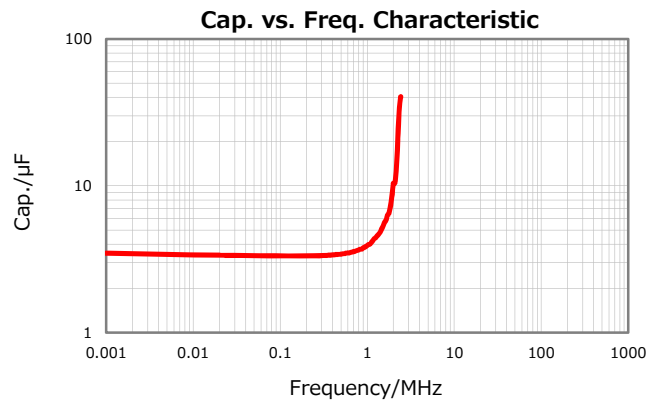
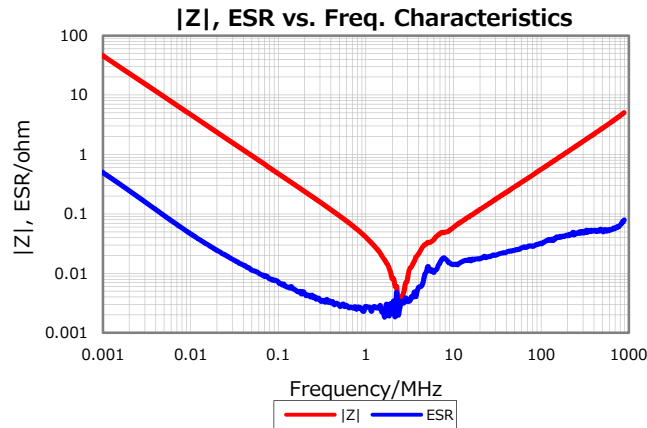
Insulation Resistance

151 Mohm min.

AEC-Q200

Yes

Characterization Sheet (Multilayer Ceramic Chip Capacitors)



All specifications are subject to change without notice.

January 18, 2020