

CGA5L1X7R1V685K160AC

TDK Item Description : CGA5L1X7R1V685KT****



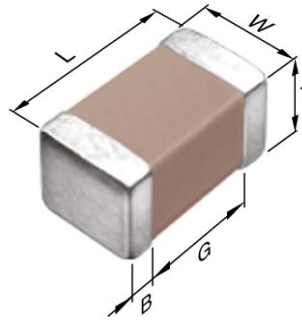
Equivalent C3216X7R1V685K for Automotive

Application & Main Feature

Automotive Grade (General (Up to 50V))

Series

CGA5(3216) [EIA 1206]



Dimensions

L	3.20mm +0.3mm,-0.1mm
W	1.60mm +0.3mm,-0.1mm
T	1.60mm +0.3mm,-0.1mm
B	0.20mm Min.
G	1.00mm Min.

Temperature Characteristic

X7R (-55 to 125 degC +/-15%)

Rated Voltage

1V (35Vdc)

Capacitance

6.8uF

Capacitance Tolerance

K (+/-10%)

Dissipation Factor

5% Max.

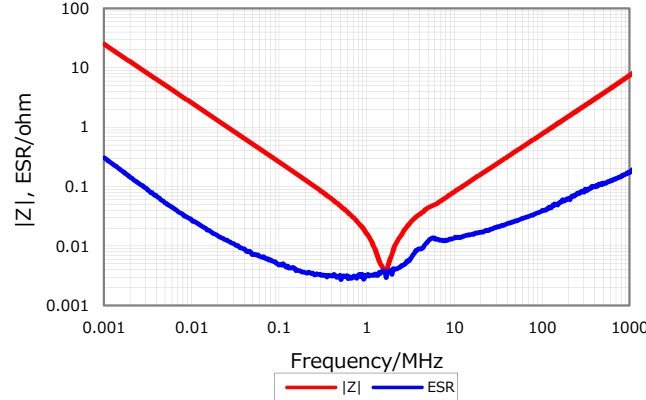
Insulation Resistance

73Mohm Min.

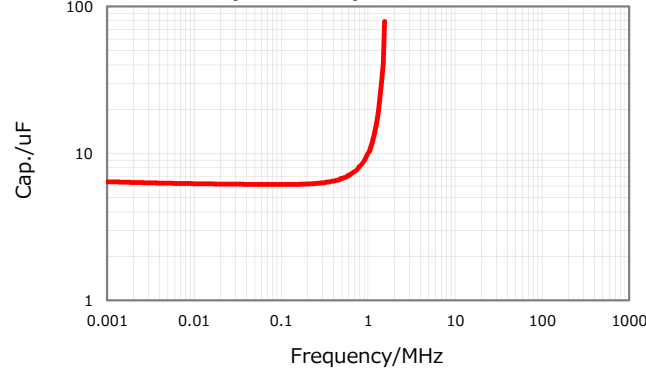
AEC-Q200

Yes

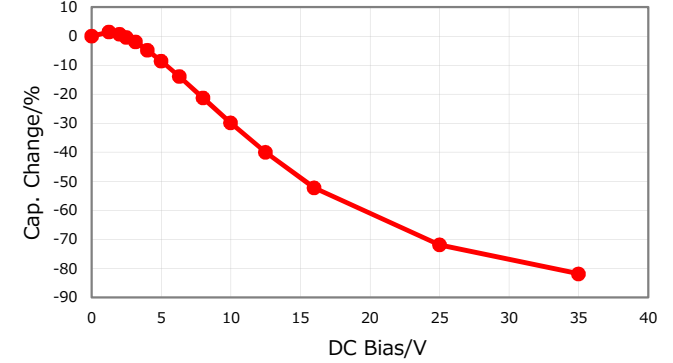
|Z|, ESR vs. Freq. Characteristics



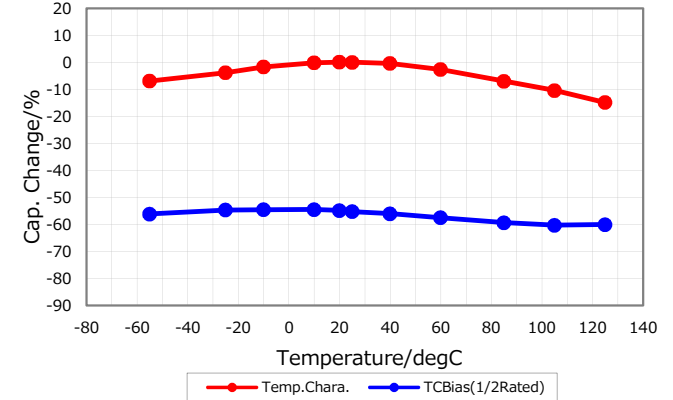
Cap. vs. Freq. Characteristic



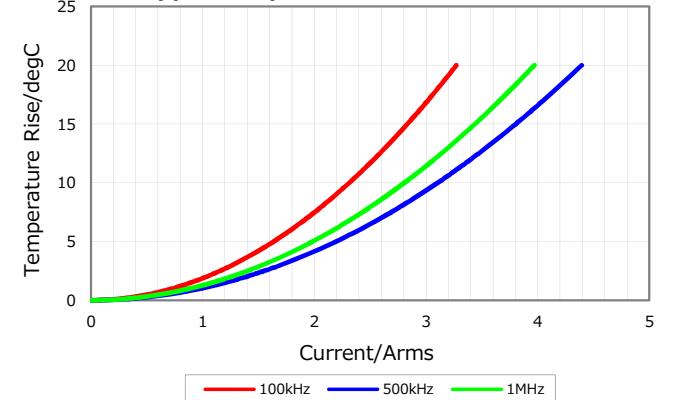
DC Bias Characteristic



Temperature Characteristics



Ripple Temperature Rise Characteristics



Characterization Sheet (Multilayer Ceramic Chip Capacitors)



All specifications are subject to change without notice.

September 8, 2017