

# CGA5L1X7R1V685M160AC

TDK Item Description : CGA5L1X7R1V685MT\*\*\*\*



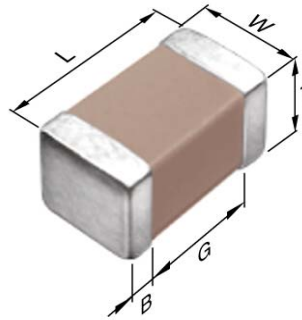
Equivalent C3216X7R1V685M for Automotive

## Application & Main Feature

Automotive Grade ( General (Up to 50V) )

## Series

CGA5(3216) [EIA 1206]



## Dimensions

L	3.20mm +0.3mm,-0.1mm
W	1.60mm +0.3mm,-0.1mm
T	1.60mm +0.3mm,-0.1mm
B	0.20mm Min.
G	1.00mm Min.

## Temperature Characteristic

X7R (-55 to 125 degC +/-15%)

## Rated Voltage

1V (35Vdc)

## Capacitance

6.8uF

## Capacitance Tolerance

M (+/-20%)

## Dissipation Factor

5% Max.

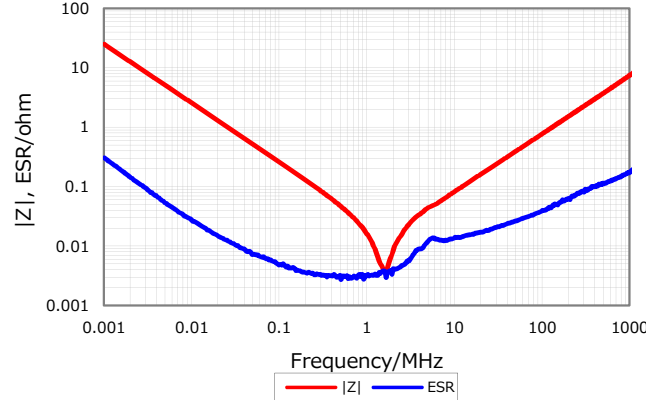
## Insulation Resistance

73Mohm Min.

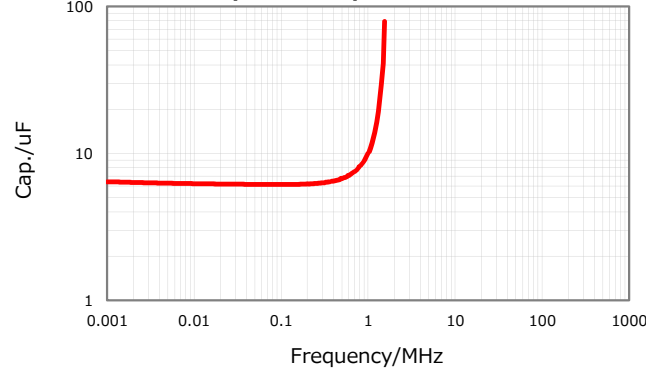
## AEC-Q200

Yes

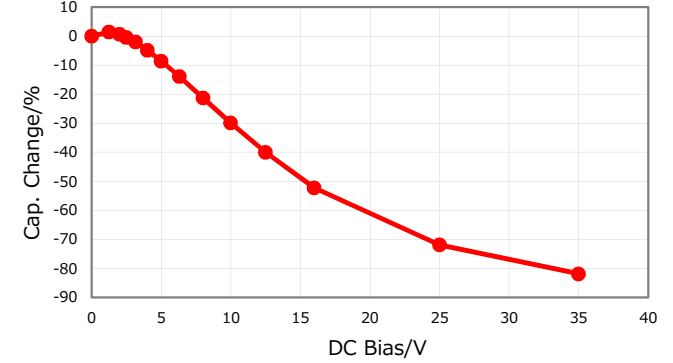
## |Z|, ESR vs. Freq. Characteristics



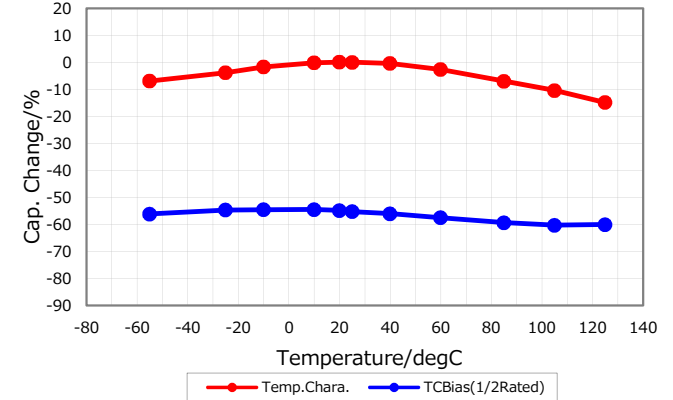
## Cap. vs. Freq. Characteristic



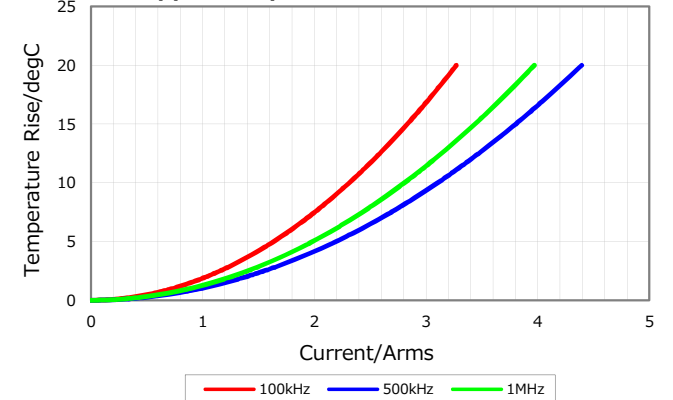
## DC Bias Characteristic



## Temperature Characteristics



## Ripple Temperature Rise Characteristics



Characterization Sheet ( Multilayer Ceramic Chip Capacitors )



All specifications are subject to change without notice.

September 8, 2017