

CGA5L1X7T0G476M160AC

TDK item description : CGA5L1X7T0G476MT****



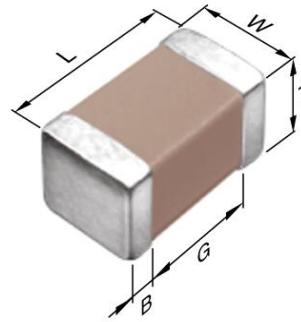
Equivalent C3216X7T0G476M for Automotive

Application & Main Feature

Automotive grade (General type)

Series

CGA5(3216) [EIA 1206]



Dimensions

L 3.20+0.40/-0.10 mm
 W 1.60+0.40/-0.10 mm
 T 1.60+0.40/-0.10 mm
 B 0.20 mm min.
 G 1.00 mm min.

Temperature Characteristic

X7T (-55 to +125 degC, +22/-33%)

Rated Voltage

0G (4Vdc)

Capacitance

47µF

Capacitance Tolerance

M (±20%)

DF

10 % max.

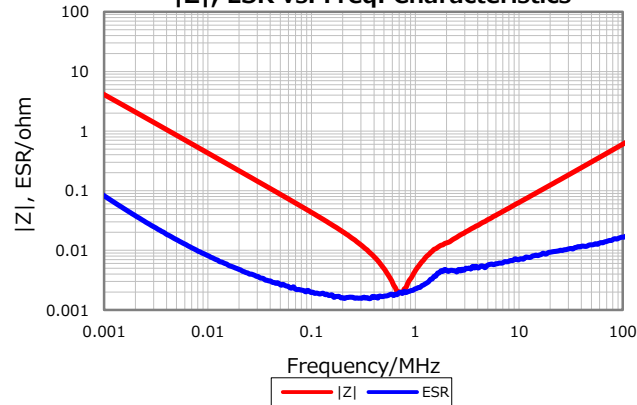
Insulation Resistance

2 Mohm min.

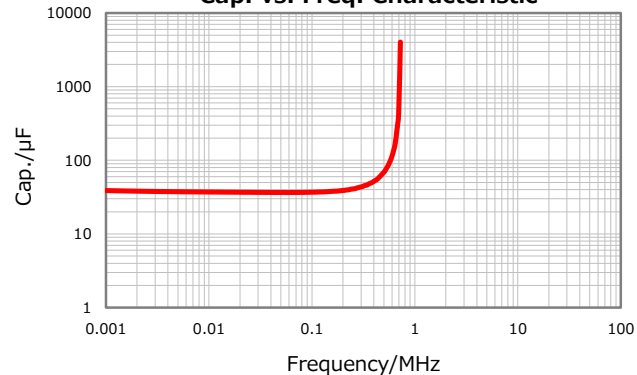
AEC-Q200

Yes

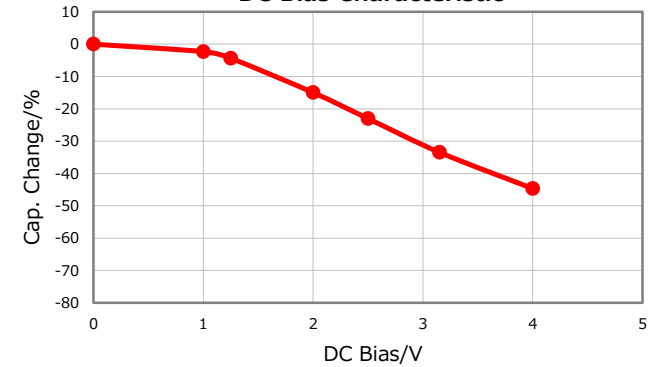
|Z|, ESR vs. Freq. Characteristics



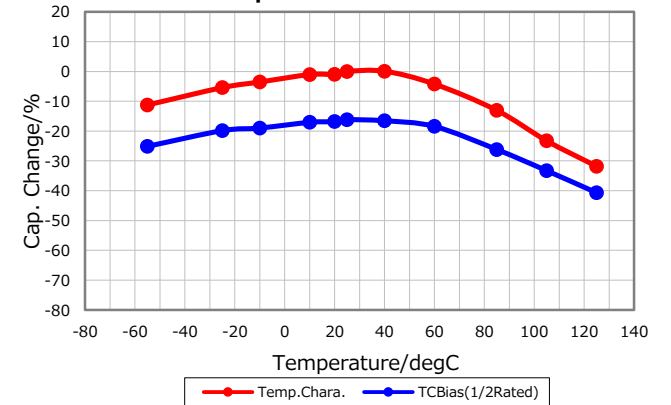
Cap. vs. Freq. Characteristic



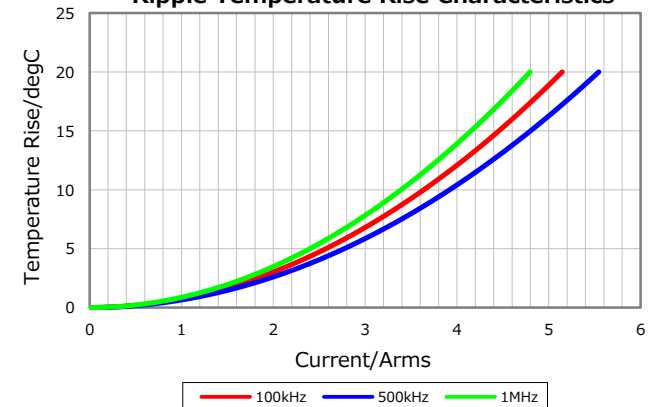
DC Bias Characteristic



Temperature Characteristics



Ripple Temperature Rise Characteristics



Characterization Sheet (Multilayer Ceramic Chip Capacitors)



⚠ All specifications are subject to change without notice.

September 17, 2020