

# CGA5L1X8L0G226M160AC

TDK item description : CGA5L1X8L0G226MT\*\*\*\*



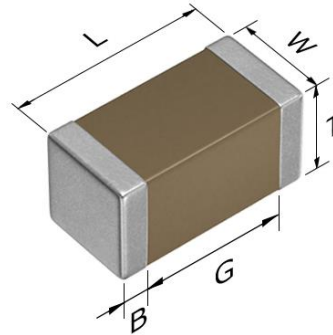
Equivalent C3216X8L0G226M for Automotive

## Application & Main Feature

Automotive grade (General type)

## Series

CGA5(3216) [EIA 1206]



## Dimensions

L 3.20+0.30,-0.10 mm  
 W 1.60+0.30,-0.10 mm  
 T 1.60+0.30,-0.10 mm  
 B 0.20 mm min.  
 G 1.00 mm min.

## Temperature Characteristic

X8L (-55 to +150 degC, +15/-40%)

## Rated Voltage

0G (4Vdc)

## Capacitance

22 $\mu$ F

## Capacitance Tolerance

M ( $\pm$ 20%)

## DF

7.5 % max.

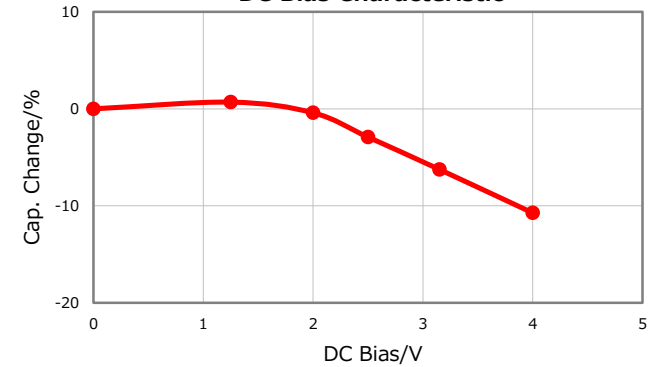
## Insulation Resistance

4 Mohm min.

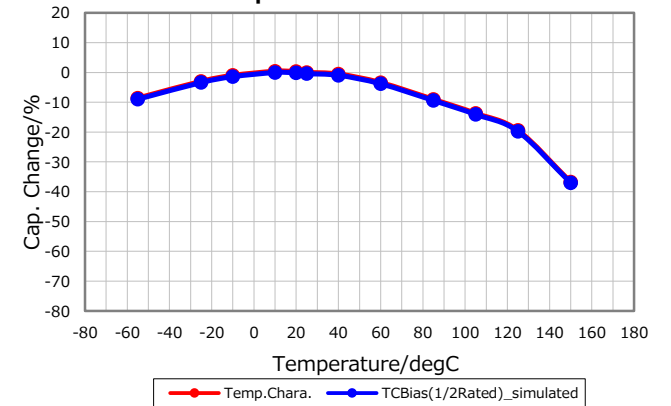
## AEC-Q200

Yes

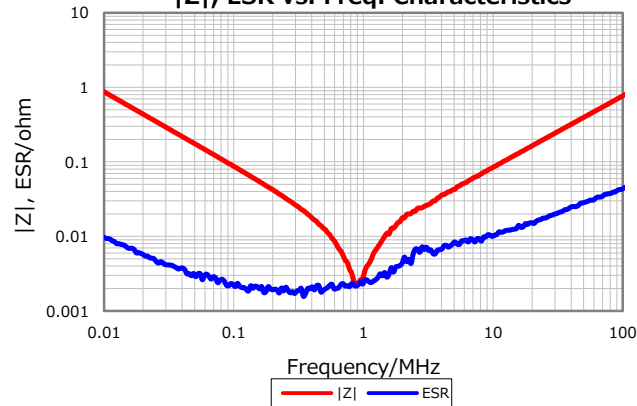
## DC Bias Characteristic



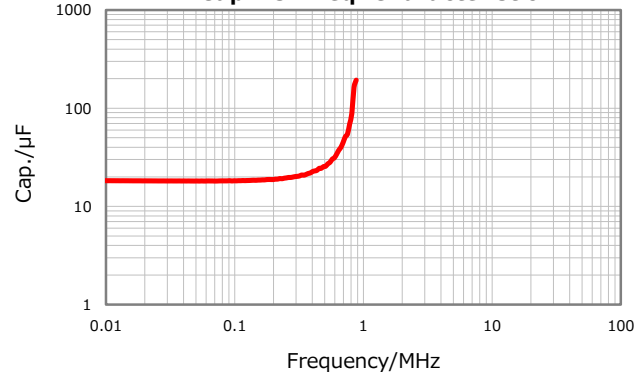
## Temperature Characteristics



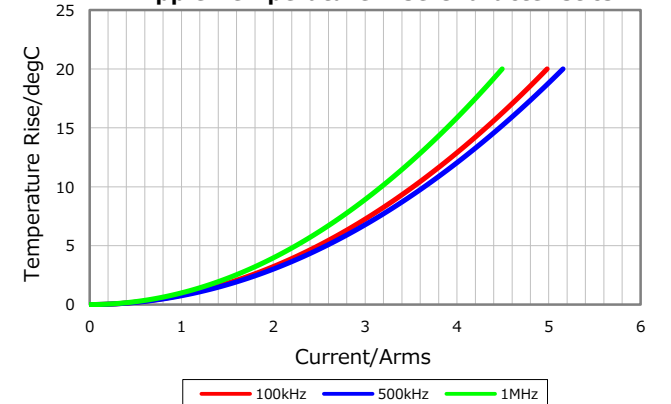
## |Z|, ESR vs. Freq. Characteristics



## Cap. vs. Freq. Characteristic



## Ripple Temperature Rise Characteristics



Characterization Sheet ( Multilayer Ceramic Chip Capacitors )



⚠ All specifications are subject to change without notice.

January 7, 2021