

CGA5L2X7R1E155K160AD

TDK Item Description : CGA5L2X7R1E155KT***B



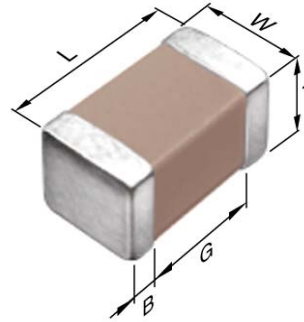
Equivalent C3216X7R1E155K for Automotive

Application & Main Feature

Automotive Grade (Conductive Epoxy Application)

Series

CGA5(3216) [EIA CC1206]



Dimensions

- L 3.20mm +0.3,-0.1mm
- W 1.60mm +0.3,-0.1mm
- T 1.60mm +0.3,-0.1mm
- B 0.20mm Min.
- G 1.00mm Min.

Temperature Characteristic

X7R (-55 to +125 degC +/-15%)

Rated Voltage

1E (25Vdc)

Capacitance

1.5uF

Capacitance Tolerance

K (+/-10%)

Dissipation Factor

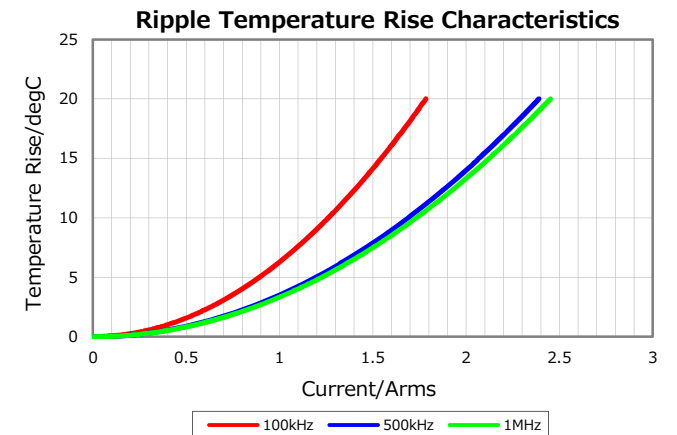
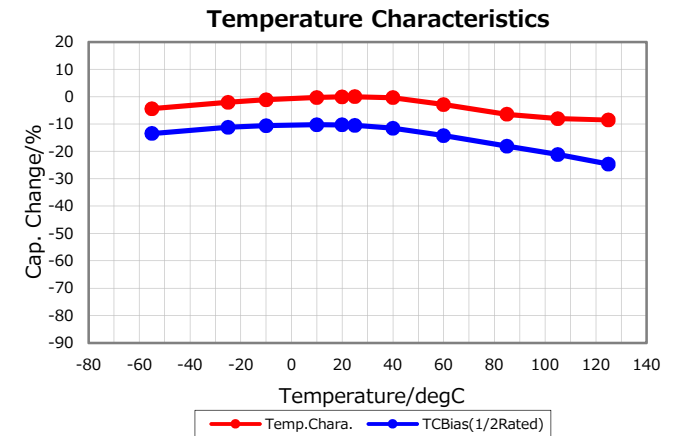
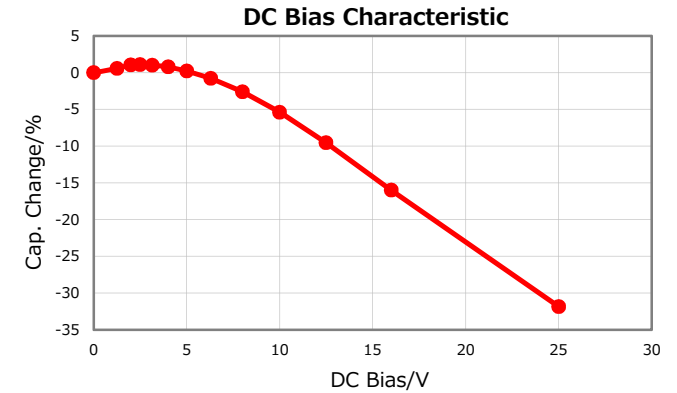
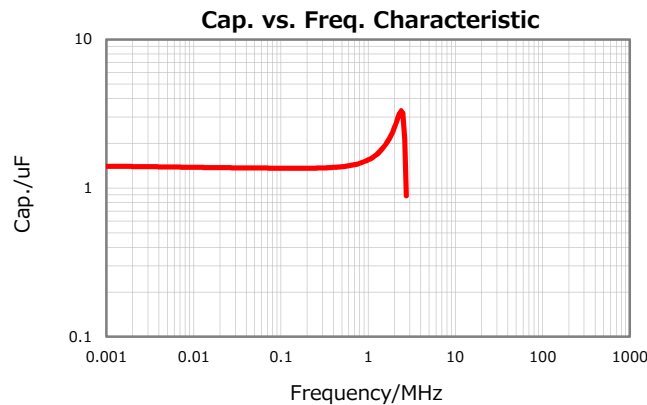
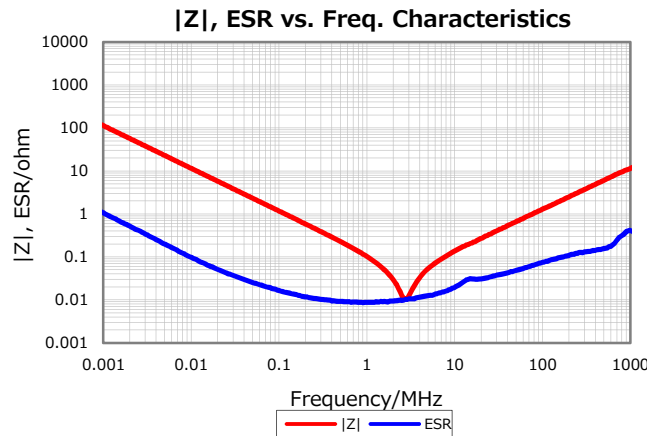
3% Max.

Insulation Resistance

333Mohm Min.

AEC-Q200

Yes



Characterization Sheet (Multilayer Ceramic Chip Capacitors)



All specifications are subject to change without notice.