

# CGA5L3X5R1E106K160AB

TDK item description : CGA5L3X5R1E106KT\*\*\*\*



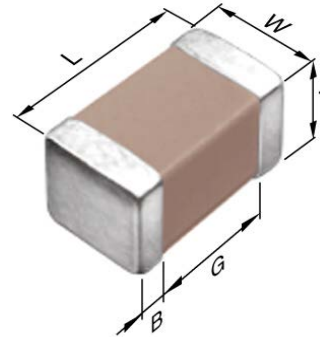
Equivalent C3216X5R1E106K for Automotive

## Application & Main Feature

Automotive grade (General type)

## Series

CGA5(3216) [EIA 1206]



## Dimensions

|   |                    |
|---|--------------------|
| L | 3.20+0.30/-0.10 mm |
| W | 1.60+0.30/-0.10 mm |
| T | 1.60+0.30/-0.10 mm |
| B | 0.20 mm min.       |
| G | 1.00 mm min.       |

## Temperature Characteristic

X5R (-55 to +85 degC, ±15%)

## Rated Voltage

1E (25Vdc)

## Capacitance

10µF

## Capacitance Tolerance

K (±10%)

## Dissipation Factor

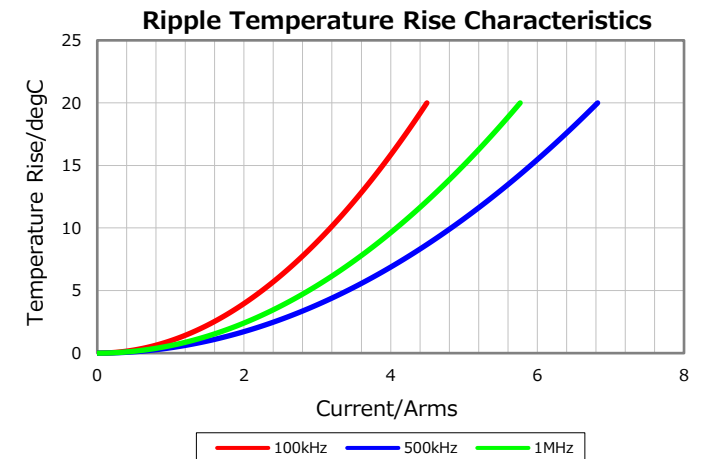
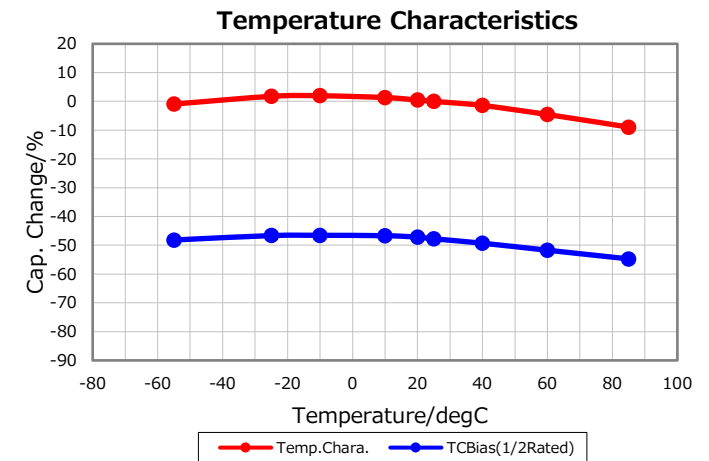
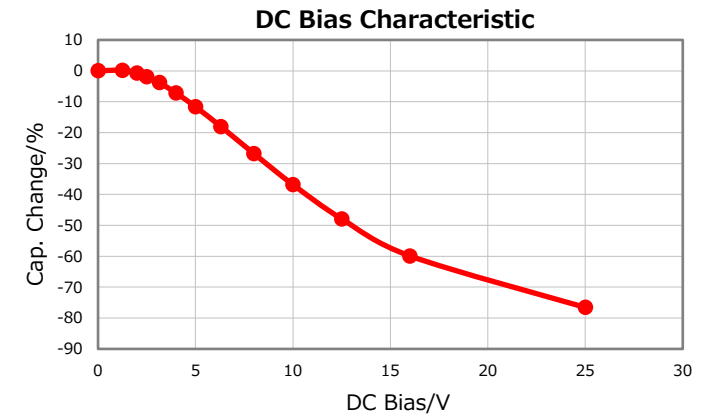
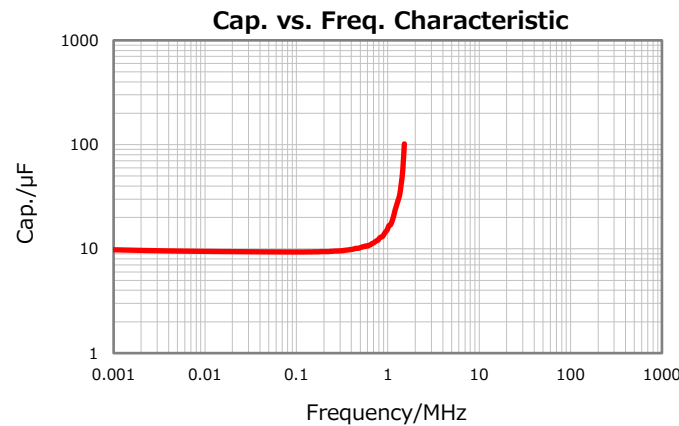
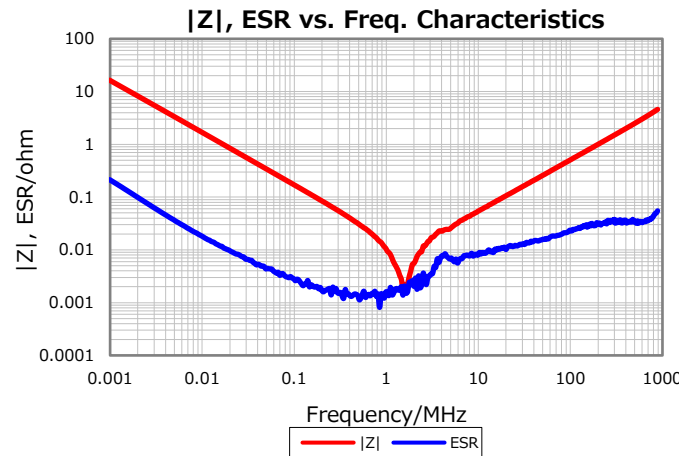
7.5 % max.

## Insulation Resistance

50 Mohm min.

## AEC-Q200

Yes



Characterization Sheet ( Multilayer Ceramic Chip Capacitors )



All specifications are subject to change without notice.

January 22, 2020