

CGA5L3X7R1V155M160AB

TDK item description : CGA5L3X7R1V155MT****



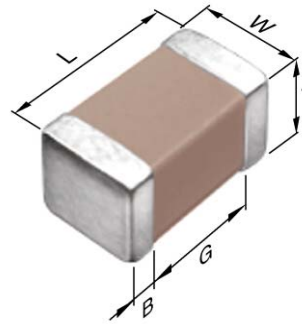
Equivalent C3216X7R1V155M for Automotive

Application & Main Feature

Automotive grade (General type)

Series

CGA5(3216) [EIA 1206]



Dimensions

L 3.20+0.30/-0.10 mm
 W 1.60+0.30/-0.10 mm
 T 1.60+0.30/-0.10 mm
 B 0.20 mm min.
 G 1.00 mm min.

Temperature Characteristic

X7R (-55 to +125 degC, ±15%)

Rated Voltage

1V (35Vdc)

Capacitance

1.5µF

Capacitance Tolerance

M (±20%)

Dissipation Factor

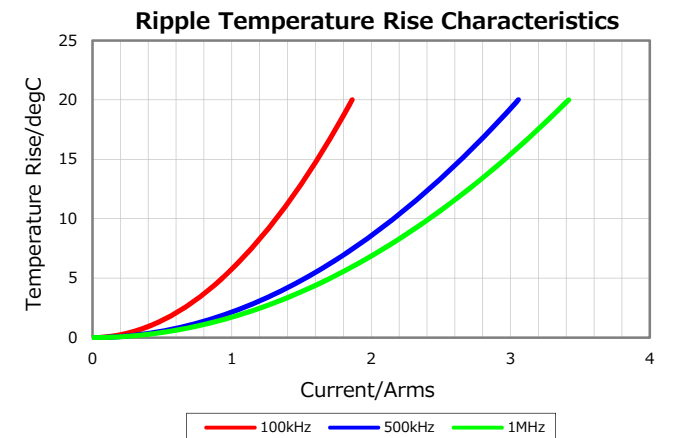
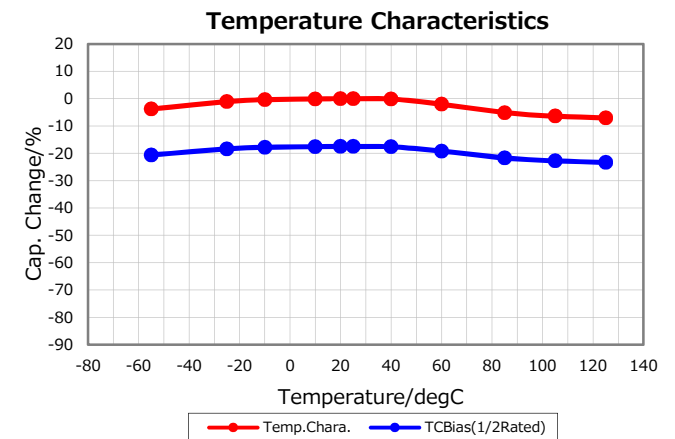
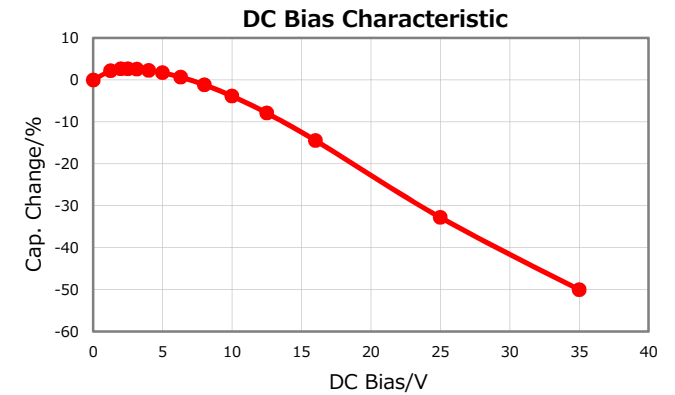
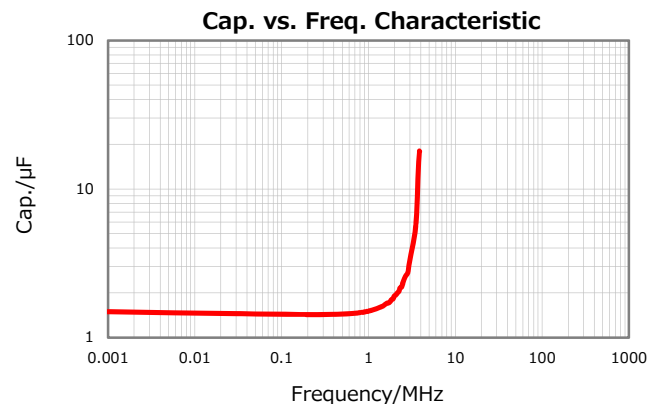
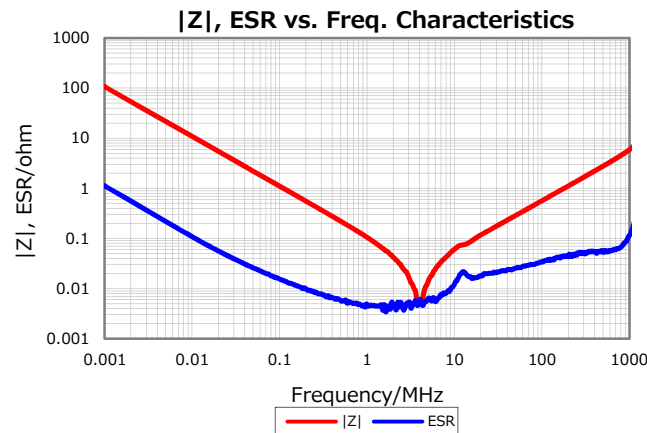
5 % max.

Insulation Resistance

333 Mohm min.

AEC-Q200

Yes



Characterization Sheet (Multilayer Ceramic Chip Capacitors)



⚠ All specifications are subject to change without notice.

January 15, 2020