

# CGA5L3X7R1V225K160AB

TDK item description : CGA5L3X7R1V225KT\*\*\*\*



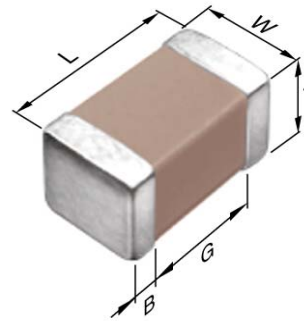
Equivalent C3216X7R1V225K for Automotive

## Application & Main Feature

Automotive grade (General type)

## Series

CGA5(3216) [EIA 1206]



## Dimensions

L	3.20+0.30/-0.10 mm
W	1.60+0.30/-0.10 mm
T	1.60+0.30/-0.10 mm
B	0.20 mm min.
G	1.00 mm min.

## Temperature Characteristic

X7R (-55 to +125 degC, ±15%)

## Rated Voltage

1V (35Vdc)

## Capacitance

2.2µF

## Capacitance Tolerance

K (±10%)

## Dissipation Factor

5 % max.

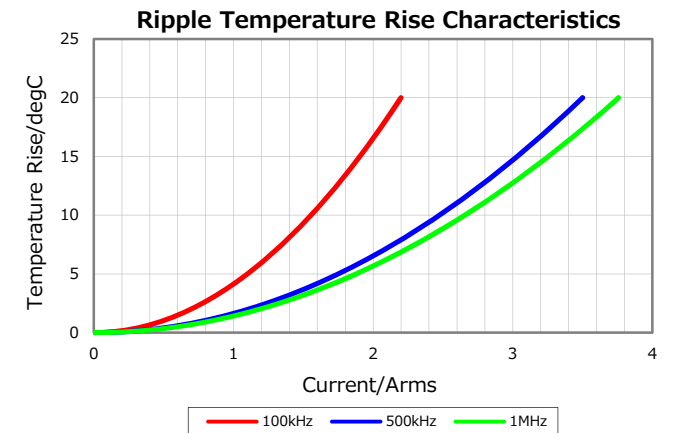
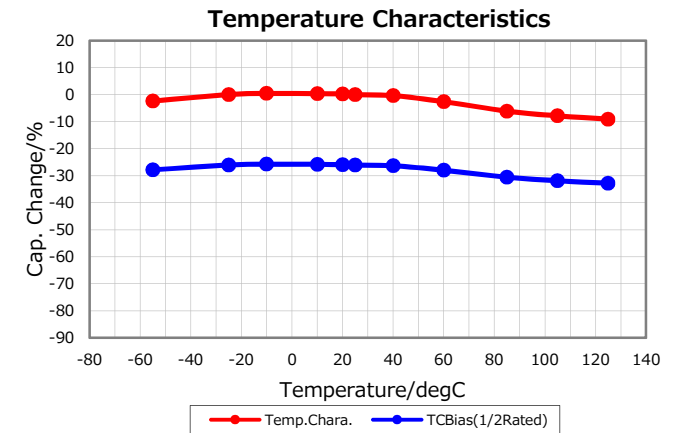
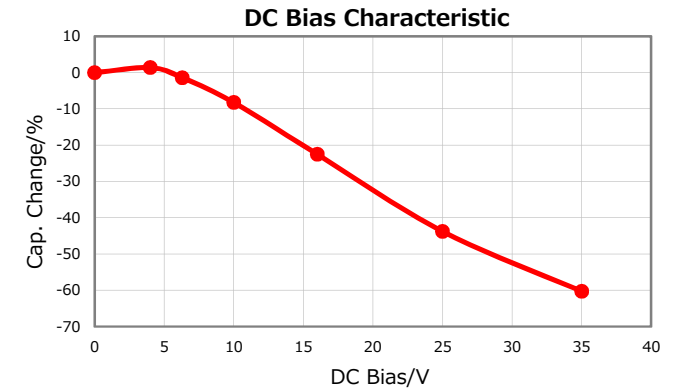
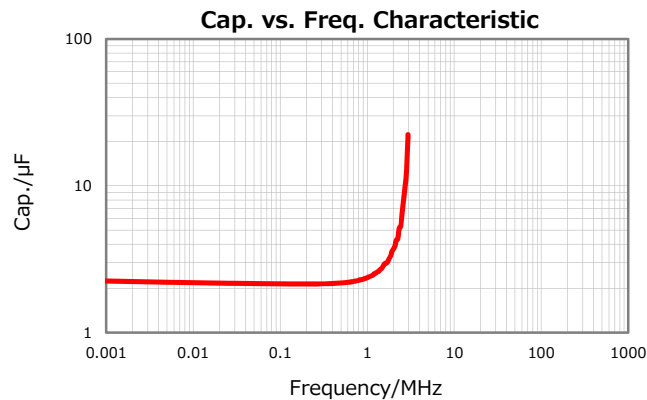
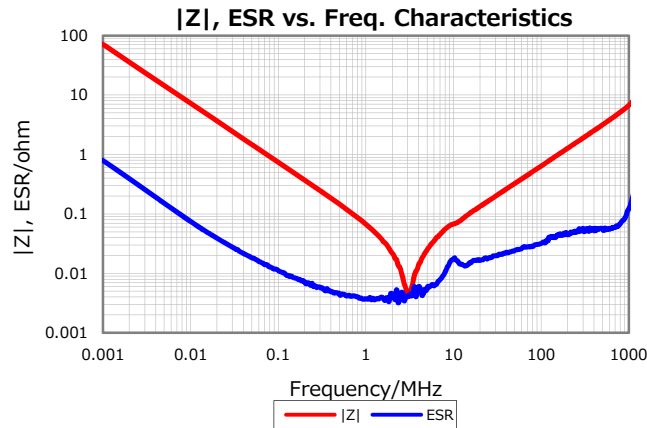
## Insulation Resistance

227 Mohm min.

## AEC-Q200

Yes

Characterization Sheet ( Multilayer Ceramic Chip Capacitors )



All specifications are subject to change without notice.

January 17, 2020