

# CGA5L3X8R1C475K160AD

TDK Item Description : CGA5L3X8R1C475KT\*\*\*B



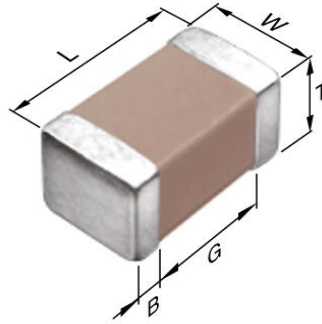
Equivalent C3216X8R1C475K for Automotive

## Application & Main Feature

Automotive Grade ( Conductive Epoxy Application )

## Series

CGA5(3216) [EIA 1206]



## Dimensions

L	3.20mm +0.3,-0.1mm
W	1.60mm +0.3,-0.1mm
T	1.60mm +0.3,-0.1mm
B	0.20mm Min.
G	1.00mm Min.

## Temperature Characteristic

X8R (-55 to 150 degC +/-15%)

## Rated Voltage

1C(16Vdc)

## Capacitance

4.7uF

## Capacitance Tolerance

K (±10%)

## Dissipation Factor

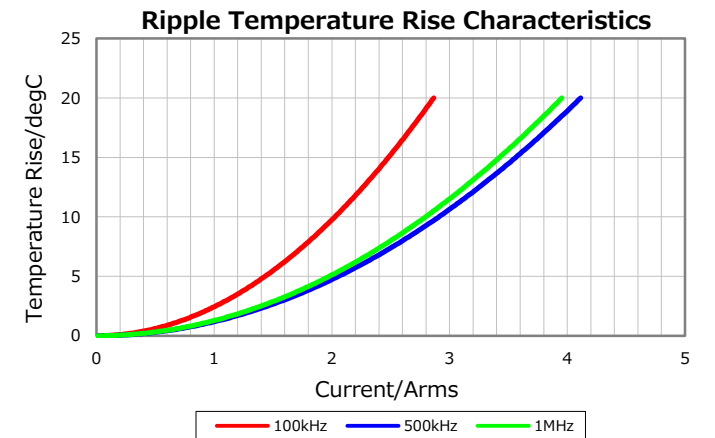
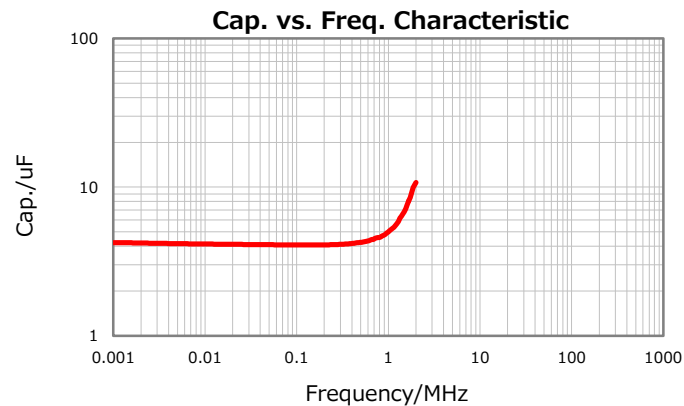
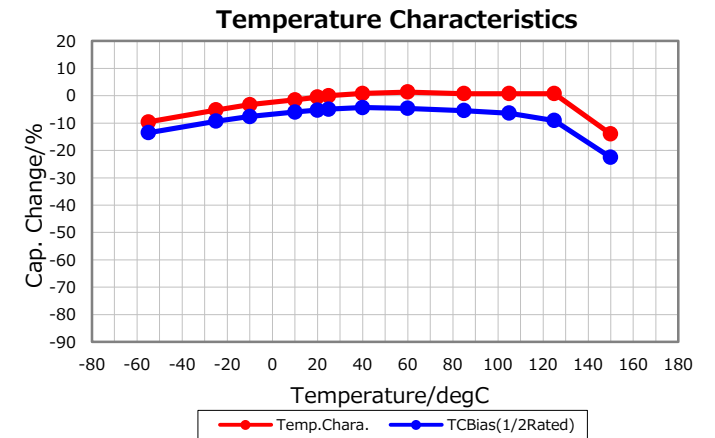
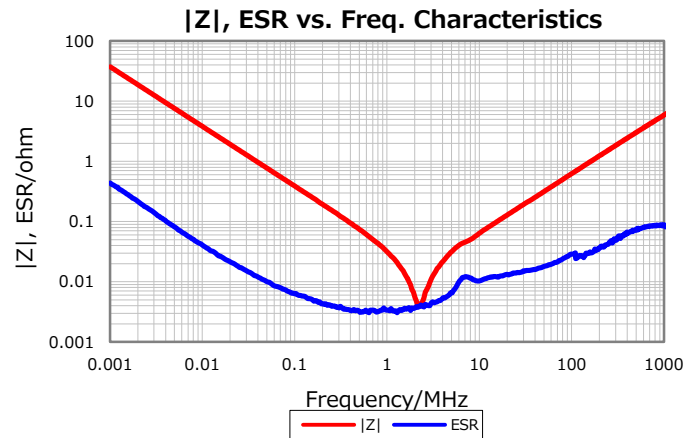
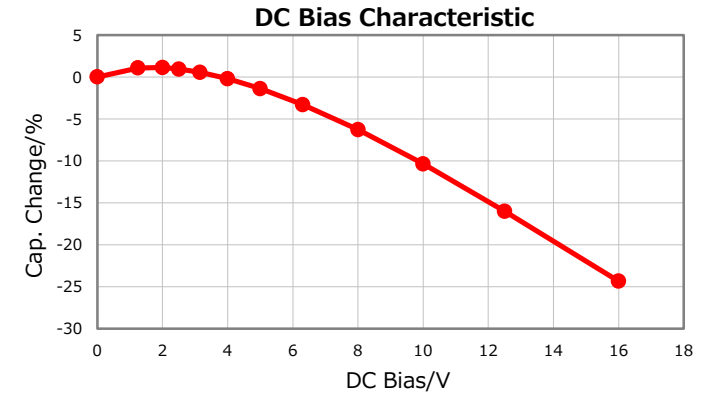
5% Max.

## Insulation Resistance

21Mohm Min.

## AEC-Q200

Yes



Characterization Sheet ( Multilayer Ceramic Chip Capacitors )



All specifications are subject to change without notice.

October 24, 2018