

# CGA5L3X8R1E155M160AE

TDK Item Description : CGA5L3X8R1E155MT\*\*\*S



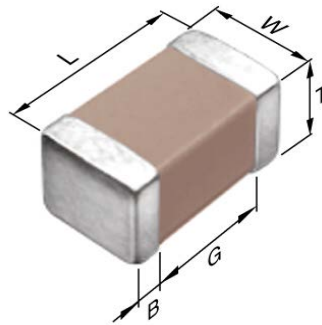
Equivalent C3216X8R1E155M for Automotive

## Application & Main Feature

Automotive Grade ( Soft Termination )

## Series

CGA5(3216) [EIA CC1206]



## Dimensions

L	3.20mm +0.4,-0.2mm
W	1.60mm +0.3,-0.2mm
T	1.60mm +0.3,-0.2mm
B	0.20mm Min.
G	1.00mm Min.

## Temperature Characteristic

X8R (-55 to 150 degC +/-15%)

## Rated Voltage

1E (25Vdc)

## Capacitance

1.5uF

## Capacitance Tolerance

M (+/-20%)

## Dissipation Factor

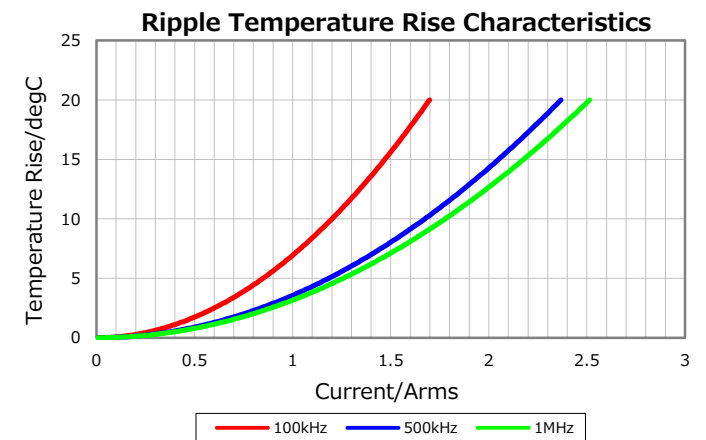
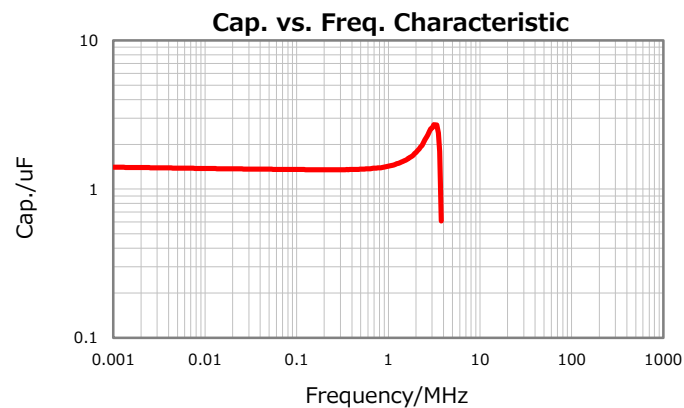
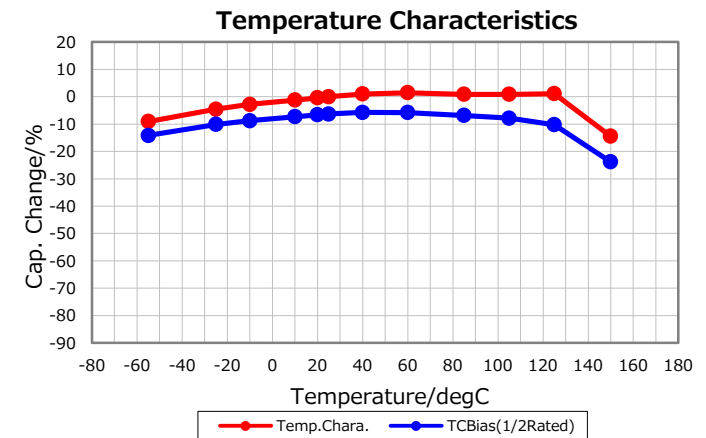
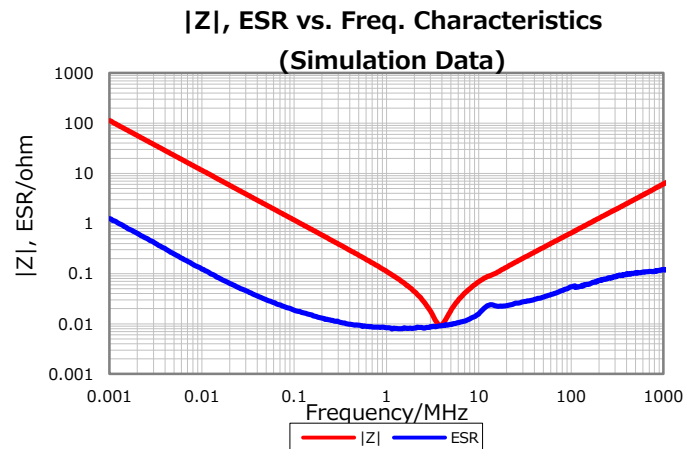
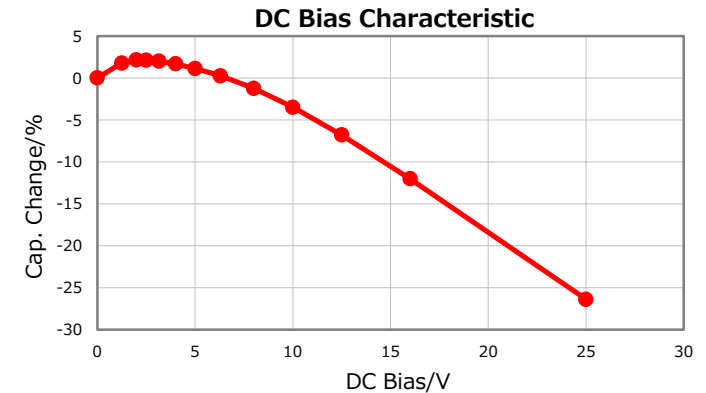
3% Max.

## Insulation Resistance

333Mohm Min.

## AEC-Q200

Yes



Characterization Sheet ( Multilayer Ceramic Chip Capacitors )



All specifications are subject to change without notice.

March 17, 2017