

CGA6M1C0G3A222J200AC

TDK Item Description : CGA6M1C0G3A222JT****



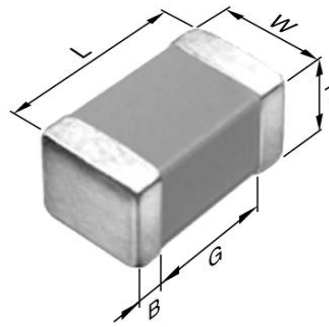
Equivalent C3225C0G3A222J for Automotive

Application & Main Feature

Automotive Grade (High Voltage (1000V and over))

Series

CGA6(3225) [EIA 1210]



Dimensions

L	3.20mm ±0.40mm
W	2.50mm ±0.30mm
T	2.00mm ±0.20mm
B	0.20mm Min.
G	

Temperature Characteristic

C0G (-55 to 125 degC 0+/-30ppm/degC)

Rated Voltage

3A(1000Vdc)

Capacitance

2.2nF

Capacitance Tolerance

J (±5%)

Q Factor

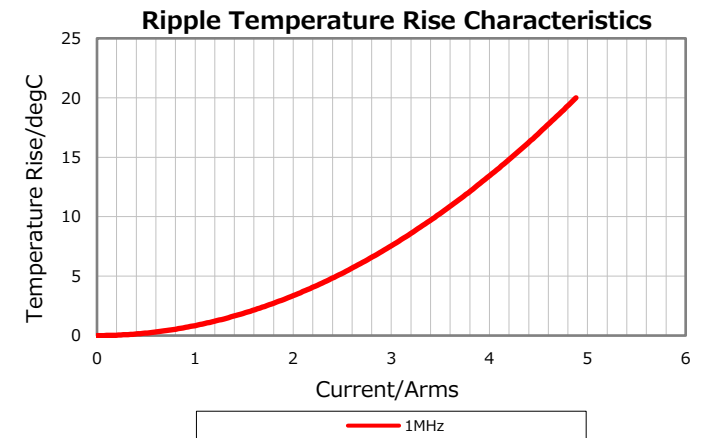
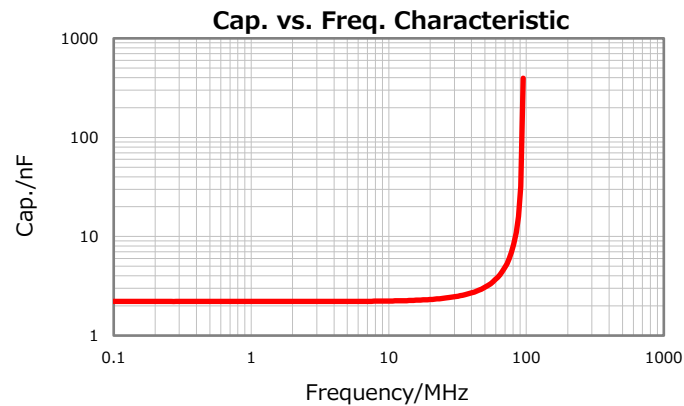
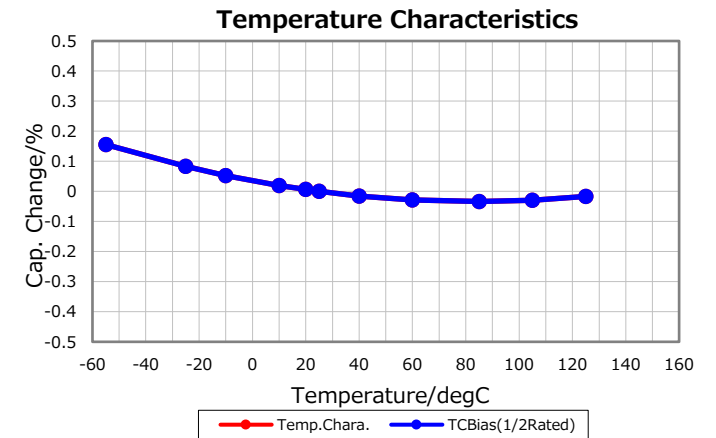
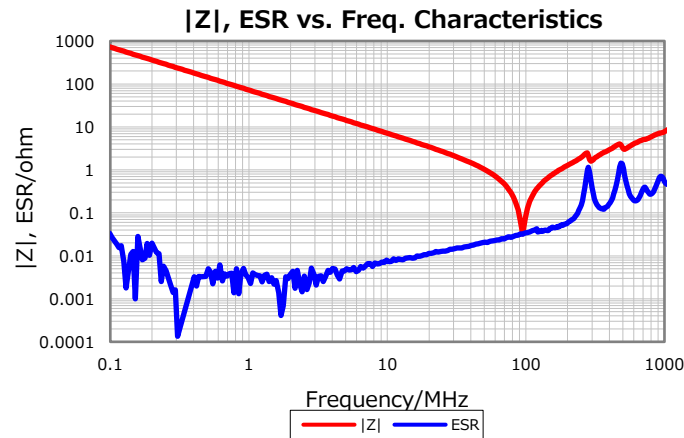
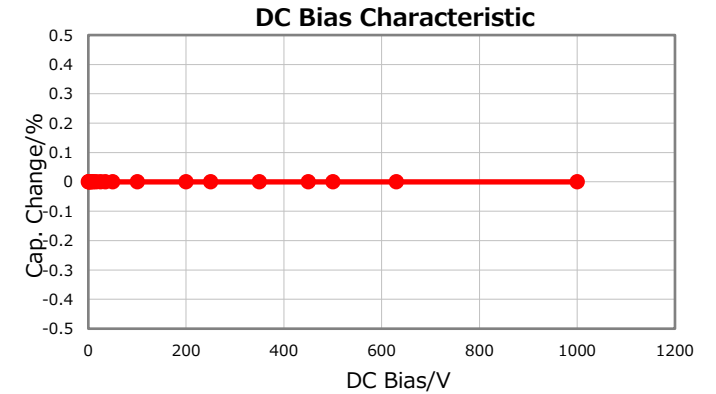
1000 Min.

Insulation Resistance

10Gohm Min

AEC-Q200

Yes



Characterization Sheet (Multilayer Ceramic Chip Capacitors)



All specifications are subject to change without notice.